



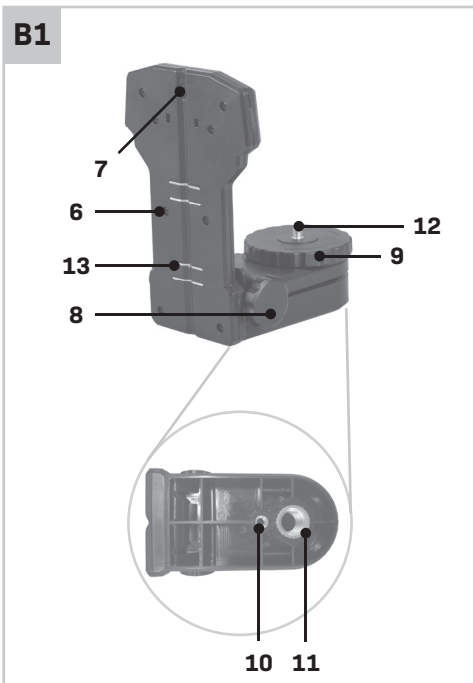
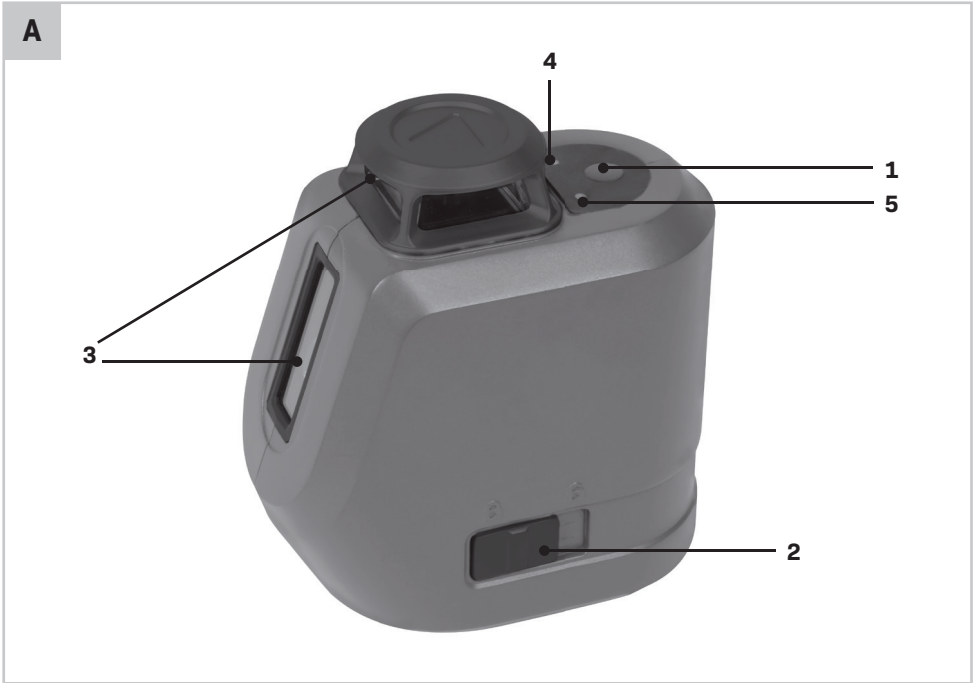
VONROC®

BUILD YOUR FUTURE

CROSS LINE LASER LL505DC / LL506DC



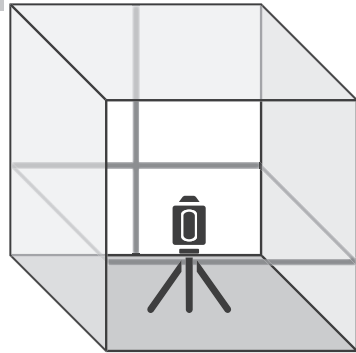
EN	Original Instructions	05
DE	Übersetzung Der Originalbetriebsanleitung	10
NL	Vertaling van de oorspronkelijke gebruiksaanwijzing	15
FR	Traduction de la notice originale	21
ES	Traducción del manual original	26
IT	Traduzione delle istruzioni originali	32
SV	Översättning av bruksanvisning i original	37
DA	Oversættelse af den originale brugsanvisning	42
PL	Tłumaczenie instrukcji oryginalnej	47
RO	Traducere a instrucțiunilor originale	53
TR	Orijinal talimatların çevirisi	58



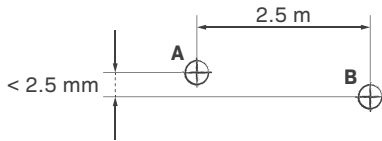
C



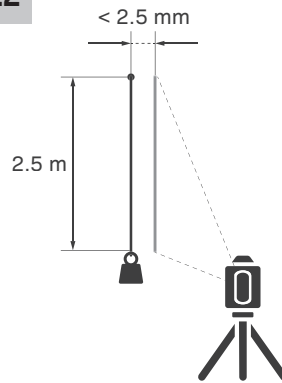
D



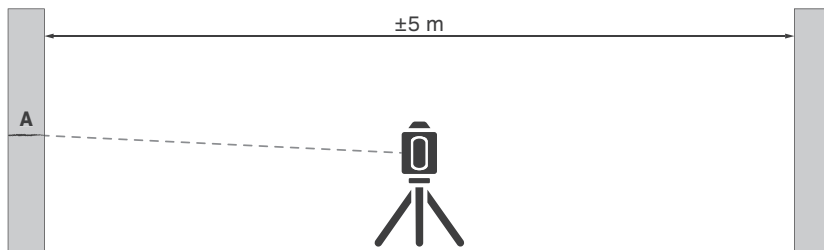
E1



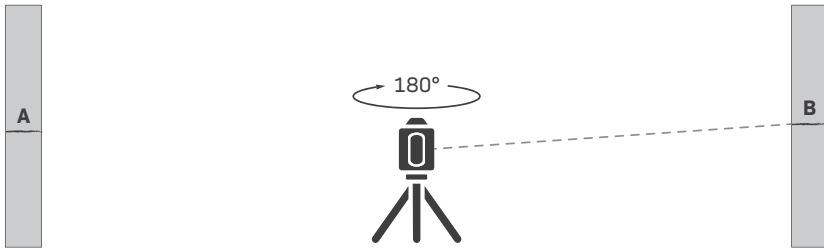
E2



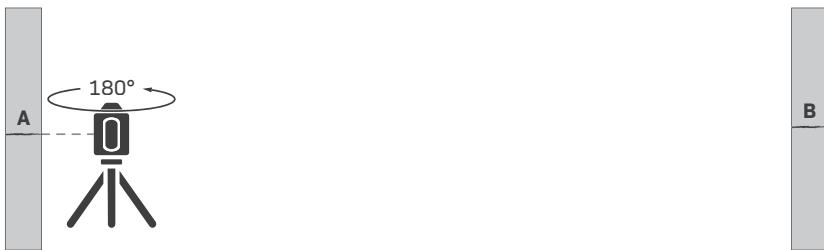
F1



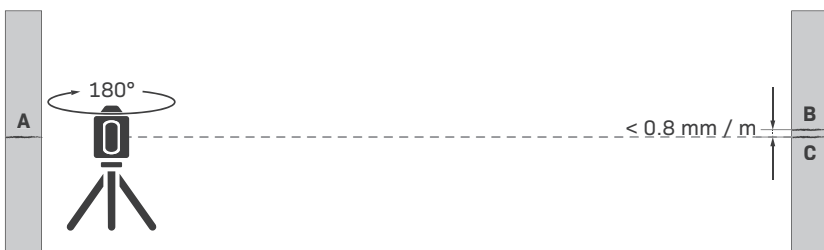
F2



F3



F4



1. SAFETY INSTRUCTIONS

Read the enclosed safety warnings, the additional safety warnings and the instructions. Failure to follow the safety warnings and the instructions may result in electric shock, fire and/or serious injury. Save the safety warnings and the instructions for future reference.

The following symbols are used in the user manual or on the product:



Read the user manual.



Denotes risk of personal injury, loss of life or damage to the tool in case of non-observance of the instructions in this manual.



Do not use in rain.



Indoor use only.



Do not dispose of the product in unsuitable containers.



The product is in accordance with the applicable safety standards in the European directives.



Risk of eye injury due to laser beams! Never look directly into the laser and do not direct the laser beam towards reflecting surfaces!

GENERAL SAFETY WARNINGS

- To operate this device safely, the user must have read and understood these instructions for use before using the device for the first time.
- Observe all safety instructions! Failure to do so may cause harm to you and others.
- Retain all instructions for use, and safety instructions for future reference.
- If you sell or pass the device on, you must also hand over these operating instructions.
- The device must only be used when it functions properly. If the product or part of the product is defective, it must be taken out of operation and disposed of correctly.
- Never use the device in a room where there is a danger of explosion or in the vicinity of flamma-

ble liquids or gases.

- Keep children away from the device! Keep the device out of the way of children and other unauthorized persons.

SPECIFIC SAFETY WARNINGS

- The device is intended for using in dry environment.
- Avoid the influence of humidity and dirt as well as direct sun rays.
- Do not operate the device in the proximity of welding machines, induction heaters and other electromagnetic fields.
- Do not expose the device to high temperatures for a longer period of time.
- Symbols appearing on your device may not be removed or covered. Signs on the device that are no longer legible must be replaced immediately.

SAFETY WARNINGS FOR BATTERY

- Do not open the battery.** Danger of shortcircuiting.
- Protect the battery against heat, e. g., against continuous intense sunlight, fire, water, and moisture.** Danger of explosion.
- In case of damage and improper use of the battery, vapours may be emitted. Ventilate the area and seek medical help in case of complaints.** The vapours can irritate the respiratory system.
- Use the battery only in conjunction with your Vonroc product.** This measure alone protects the battery against dangerous overload.
- The battery can be damaged by pointed objects such as nails or screwdrivers or by force applied externally.** An internal short circuit can occur and the battery can burn, smoke, explode or overheat.

Handling of laser beams

- Do not look directly into the beam, not even from great distances.
- Never direct the measuring beam towards people, other living creatures or reflecting surfaces.
- Conventional laser glasses do not protect against the dangers of laser beams. They only serve for improved recognition of the laser beam.

LL505DC red laser:



Warning - Laser beam
 Never look into the light beam
 Laser Class 2
 according to EN60825-1: 2014;
 λ: 620-690 nm; P<_ 1mW

LL506DC green laser:



Warning - Laser beam
 Never look into the light beam
 Laser Class 2
 according to EN60825-1: 2014;
 λ: 510-530 nm; P<_ 1mW

2. MACHINE INFORMATION

Intended use

The 360° cross line laser is intended for determining and checking horizontal and vertical lines onto the wall and is therefore designed for aligning objects such as kitchens, walls, ceilings, tiles or pictures. The line laser is suitable for indoor use.

TECHNICAL SPECIFICATIONS

Model No.	LL505DC	LL506DC
Direction of beams	Vertical / 360° horizontal	
Colour of laser line	Red	Green
Laser Wavelength	620~690 nm	510~530 nm
Laser class	II (<1mW) according to EN60825-1:2014	
Working range*	20m	40m
Accuracy	± 0.5 mm/m	
Self-levelling range	± 6°	
Levelling time	4 s	
Protection	IP 20	
Tripod connection device	1/4"	
Tripod connection bracket	1/4" and 5/8"	
Recommended tripod	LL801AA	
Operating time, max.	12.5 hours	4 hours
Operating temperature	-10~40 °C	
Storage temperature	-20~70 °C	

Rechargeable Battery pack	3.7V, 2600mAh (Lithium battery)
Battery charging time	3 hours
Weight (without magnetic bracket)	380 g
Dimensions (without magnetic bracket)	105x60x115 mm

* The working range may be reduced by unfavourable environmental conditions (e.g. direct sunlight).

DESCRIPTION

The numbers in the text refer to the diagrams on page 2-4.

1. On / off button
2. Lock switch
3. Laser beam outlet
4. LED indicator
5. Operating mode LED
6. Magnetic bracket
7. Hanging hole
8. Adjusting knob (for height)
9. Mounting wheel
10. ¼ inch tripod connection
11. 5/8" tripod connection
12. 1/4" male thread
13. Magnets
14. USB type-C plug*
15. USB cable*
16. USB type-A plug*
17. USB type-C connector*

* USB Type-C® and USB-C® are trademarks of USB Implementers Forum.

3. ASSEMBLY

Using the magnetic bracket (Fig. B)

This bracket (6) allows the unit to be mounted to any upright surface made of steel or iron by using the magnets (13) at the back. The bracket also has a hanging hole (7) allowing the unit to be hung from a nail or screw on any suitable surface.

To fit the 360° cross line laser to the mounting, proceed as follows:

1. Screw the bracket male thread (12) into the tripod connection (10) at the device with the

- help of the wheel (9).
- Use the height adjuster (8) to adjust the 360 cross line laser to the required height. To dismantle, proceed in reverse order.

Using the tripod (not included) (Fig. B)

- Place the device with tripod connection (10, 11) on the thread of the tripod or a conventional camera tripod.
- Roughly align the tripod before switching on the device.

4. OPERATION



Only the centre of the laser line must be used for marking. The width of the laser line changes depending on the distance.



It's recommended to carry out an accuracy check before first use and periodic checks during future use, especially for precise layouts. Also when the laser may have been dropped.



Danger of injury due to defective components! The product must only be put into operation if no defects are found. Ensure that any defective parts are replaced before the product is used again.



WARNING! Risk of injury due to laser beam!
Never direct the laser beam towards people, other living creatures or reflecting surfaces.

Charging the device (Fig. C)



The device must be charged before first use.

- Plug the USB type-C plug (14) into the USB type-C connector (17) on the device.
- Plug the USB type-A plug (16) into an power adapter (not included) or device (e.g. computer, powerbank) with suitable female USB connector. Please note that the device should be able to deliver constant 5V 2A power.
- The Battery LED indicator (4) will lighten up and show the charging status.

LED Charger status	
Red	Battery charging in progress
Green	Charging finished, battery fully charged

- After the battery is fully charged remove the USB type-C plug (14) from the USB type-C connector (17).



It is also possible if the battery is empty to power the device with the charger or with a power bank. Follow the steps as above.



When the device is not being used over a longer period of time it is best to store the battery in charged condition.

Check the device:

- Make sure all parts are fitted on the machine firmly.
- Check whether there are any visible defects: broken parts, cracks, etc.
- Check the accuracy when it is the first time you are using the laser or when the laser has not been checked for accuracy in a while.
- Also check the accuracy when the laser may have been dropped.

Self-levelling mode (Fig. A, D)

The lasers are aligned automatically by the pendulum so that the vertical and horizontal lines are displayed level on the wall.

- Place the laser on a flat surface or fit it to the magnetic bracket (6) or tripod (not included) and fasten it as described above.
- Slide the lock switch (2) to the right.
- The laser lines can be powered one at a time or all at the same time.
 - Press the ON / OFF button (1) on the device to power on the horizontal line and the front vertical line.
 - Pressing two times the ON/OFF button (2) for the vertical front laser.
 - Pressing three times the ON/OFF button (2) for the horizontal laser.
- If the operating mode LED (5) is illuminated in red and the laser flashes, the permissible inclination range of 6 degrees is exceeded. Position the device horizontally until the operating mode LED (5) lights green and the laser stops flashing.

- To switch off, slide the lock switch (2) to the left and hold down the ON/OFF button (1). The laser switches off and the pendulum will be locked.



Slide the lock switch (2) to the left when transporting it. This locks the pendulum unit, as it can otherwise be damaged.

Manual mode (Fig. A)

The laser can be aligned manually to the angle you require, to enable for example a diagonal line to be displayed.

- Place the laser on a flat surface or fit it to the magnetic bracket (6) or tripod (not included) and fasten it as described above.
- Check if the lock switch (2) is set to the left. If not, slide the lock switch (2) to the left.
- The laser lines can be powered one at a time or all at the same time.
 - Press the ON / OFF button (1) on the device to power on the horizontal line and the front vertical line.
 - Pressing two times the ON/OFF button (2) for the vertical front laser.
 - Pressing three times the ON/OFF button (2) for the horizontal laser. The operating mode LED (5) lights up red, because the pendulum is blocked.
- Now you can tilt the laser to the angle you require, so that the lines are displayed diagonally on the wall, ground or ceiling.
- Hold down the ON/OFF button (1) to switch off the equipment. Check if the lock switch (2) is set to the left. If not, slide the lock switch (2) to the left.

5. MAINTENANCE

Accuracy check



Only the centre of the laser line must be used for marking. The width of the laser line changes depending on the distance.

Quick horizontal line check (Fig. A, E1)

- Set the device at approximately 5 meters from the wall.
- Slide the lock switch (2) to the right. Pressing three times the ON/OFF button(2) for the horizontal laser. If the operating mode LED (5) is illuminated in red and the laser flashes, the

permissible inclination range of 6 degrees is exceeded. Position the device horizontally until the operating mode LED (5) lights green and the laser stops flashing.

- After it self-levels, make a horizontal mark on the wall as shown in figure E1. Label this as point A.
- Turn the laser 2.5 m to the right.
- Turn the laser on, and after it self-levels, make a horizontal mark on the wall. Label this as point B as shown in figure E1. When points A and B are more than 2.5mm apart from a vertical perspective, a calibration check is necessary.

Quick vertical line check (Fig. A, E2)

- Set the device at approximately 5 meters from the wall.
- Hang a 2.5 meter rope on the wall with a weight on the end of the rope as shown in figure E2. The rope must be able to swing freely.
- Slide the lock switch (2) to the right. Pressing two times the ON/OFF button(2) for the vertical front laser. Position the vertical line next to the wire. If the operating mode LED (5) is illuminated in red and the laser flashes, the permissible inclination range of 6 degrees is exceeded. Position the device horizontally until the operating mode LED (5) lights green and the laser stops flashing. After it self-levels, the difference must not exceed ± 2.5 mm. When it's more than 2.5mm apart, a calibration check is necessary.

Calibration check (Fig. A, F)

The accuracy of the horizontal beam can be checked by following these steps:

- Set the device on a tripod, centered in a room with walls ideally 5 meter away.
- Slide the lock switch (2) to the right. Pressing three times the ON/OFF button(2) for the horizontal laser. If the operating mode LED (5) is illuminated in red and the laser flashes, the permissible inclination range of 6 degrees is exceeded. Position the device horizontally until the operating mode LED (5) lights green and the laser stops flashing.
- After it self-levels, make a horizontal mark on the wall anywhere along the horizontal line to indicate the height of the beam. Label this as point A as shown in Fig. F1.
- Turn the device 180°, and after it self-levels, mark point B as shown in Fig. F2.

5. Turn the device 180°. Position the device as near as possible to the wall at the height of point A as shown in Fig. F3.
6. Turn the device 180°, and after it self-levels, mark point C. This mark should either be directly above, below or on top of point B as shown in Fig. F4. The difference between points B and C is the tolerance. When B and C are more than 0.5 mm/ m apart, an adjustment is necessary. Contact your authorized dealer or else the Vonroc Service Department.

Cleaning



NOTICE! Risk of product damage! Never submerge device in water while cleaning.

Do not use cleaning agents or solvents. Wipe the device using a dry cloth.

Storage



NOTICE! Risk of product damage! Always handle measuring instruments with care.

- Store the product in a dry, well-ventilated place.
- Only store and transport the product in its original packaging.
- Prevent large temperature fluctuations: Always temper the product for a while before use in extremely cold or hot environments.



NOTICE! Risk of product damage! Old, leaky batteries can damage the product. Check the battery regularly.

ENVIRONMENT



Faulty and/or discarded electrical or electronic apparatus have to be collected at the appropriate recycling locations.

Only for EC countries

Do not dispose of power tools into domestic waste. According to the European Guideline 2012/19/EC for Waste Electrical and Electronic Equipment and its implementation into national right, power tools that are no longer usable must be collected separately and disposed of in an environmentally friendly way.

WARRANTY

VONROC products are developed to the highest quality standards and are guaranteed free of defects in both materials and workmanship for the period lawfully stipulated starting from the date of original purchase. Should the product develop any failure during this period due to defective material and/or workmanship then contact VONROC directly.

The following circumstances are excluded from this guarantee:

- Repairs and or alterations have been made or attempted to the machine by unauthorized service centers;
- Normal wear and tear;
- The tool has been abused, misused or improperly maintained;
- Non-original spare parts have been used.

This constitutes the sole warranty made by company either expressed or implied. There are no other warranties expressed or implied which extend beyond the face hereof, herein, including the implied warranties of merchantability and fitness for a particular purpose. In no event shall VONROC be liable for any incidental or consequential damages. The dealers remedies shall be limited to repair or replacement of nonconforming units or parts.

The product and the user manual are subject to change. Specifications can be changed without further notice.

1. SICHERHEITSANWEISUNGEN

Lesen Sie die beiliegenden Sicherheitsanweisungen, die zusätzlichen Sicherheitsanweisungen sowie diese Bedienungsanleitung sorgfältig durch. Bei Nichtbeachten der Sicherheitsanweisungen und der Bedienungsanleitung kann es zu einem Stromschlag, einem Brand und/oder schweren Verletzungen kommen. Bewahren Sie die Sicherheitsanweisungen und die Bedienungsanleitung zur künftigen Bezugnahme sicher auf.

Folgende Symbole werden im Benutzerhandbuch oder auf dem Produkt verwendet:



Lesen Sie das Benutzerhandbuch.



Bedeutet, dass bei Nichtbeachtung der Anweisungen in dieser Anleitung Verletzungen, Tod oder Beschädigung des Werkzeugs die Folge sein können.



Nicht im Regen benutzen.



Nur zur Benutzung in Innenräumen.



Entsorgen Sie das Produkt nicht in hierfür nicht vorgesehenen Abfallbehältern.



Das Produkt entspricht den geltenden Sicherheitsstandards in den europäischen Richtlinien.



Gefahr von Augenverletzungen durch Laserstrahlen! Schauen Sie niemals direkt in den Laser und richten Sie den Laserstrahl nicht auf reflektierende Flächen!

ALLGEMEINE SICHERHEITSHINWEISE

- Um dieses Gerät sicher zu bedienen, muss der Benutzer vor der ersten Verwendung diese Gebrauchsanweisung gelesen und verstanden haben.
- Beachten Sie alle Sicherheitshinweise! Andernfalls können Sie oder andere Personen verletzt werden.
- Bewahren Sie die Gebrauchsanweisung und die Sicherheitsanweisungen für die Zukunft auf.
- Wenn Sie das Gerät verkaufen oder weitergeben, müssen Sie auch diese Anleitung übergeben.

- Das Gerät darf nur verwendet werden, wenn es ordnungsgemäß funktioniert. Wenn das Produkt oder ein Teil davon defekt ist, muss es außer Betrieb genommen und ordnungsgemäß entsorgt werden.
- Benutzen Sie das Gerät niemals in einem Raum, in dem Explosionsgefahr besteht, oder in der Nähe von brennbaren Flüssigkeiten oder Gasen.
- Kinder von dem Gerät fernhalten! Halten Sie das Gerät von Kindern und anderen Unbefugten fern.

SPEZIFISCHE SICHERHEITSHINWEISE

- Das Gerät ist für den Einsatz in trockener Umgebung vorgesehen.
- Vermeiden Sie den Einfluss von Feuchtigkeit und Schmutz sowie direkte Sonneneinstrahlung.
- Betreiben Sie das Gerät nicht in der Nähe von Schweißmaschinen, Induktionsheizungen und anderen elektromagnetischen Feldern.
- Setzen Sie das Gerät nicht längere Zeit hohen Temperaturen aus.
- Etiketten usw. auf Ihrem Gerät dürfen nicht entfernt oder abgedeckt werden. Schilder auf dem Gerät, die nicht mehr lesbar sind, müssen sofort ersetzt werden.

SICHERHEITSHINWEISE FÜR AKKU

- Öffnen Sie den Akku nicht.** Es besteht die Gefahr eines Kurzschlusses.
- Schützen Sie den Akku vor Hitze, z. B. auch vor dauernder Sonneneinstrahlung, Feuer, Wasser und Feuchtigkeit.** Es besteht Explosionsgefahr.
- Bei Beschädigung und unsachgemäßem Gebrauch des Akkus können Dämpfe austreten. Führen Sie Frischluft zu und suchen Sie bei Beschwerden einen Arzt auf.** Die Dämpfe können die Atemwege reizen.
- Verwenden Sie den Akku nur in Verbindung mit Ihrem Vonroc Produkt.** Nur so wird der Akku vor gefährlicher Überlastung geschützt.
- Durch spitze Gegenstände wie z. B. Nagel oder Schrau benzieher oder durch ausere Kräfteinwirkung kann der Akku beschädigt werden.** Es kann zu einem internen Kurzschluss kommen und der Akku brennen, rauchen, explodieren oder überhitzen.

Umgang mit Laserstrahlen

- Nicht direkt in den Strahl blicken, auch nicht aus großer Entfernung.
- Niemals den Messstrahl auf Menschen, andere Lebewesen oder reflektierende Flächen richten.
- Konventionelle Laserbrillen schützen nicht vor den Gefahren durch Laserstrahlen. Sie dienen nur zur besseren Erkennung des Laserstrahls.

LL505DC laser rot:



Achtung - Laserstrahl
 Niemals in den Lichtstrahl blicken
 Laser Klasse 2
 gemäß EN60825-1: 2014;
 λ: 620-690 nm; P<_ 1mW

LL506DC laser grün:



Achtung - Laserstrahl
 Niemals in den Lichtstrahl blicken
 Laser Klasse 2
 gemäß EN60825-1: 2014;
 λ: 510-530 nm; P<_ 1mW

2. ANGABEN ZUM WERKZEUG

Verwendungszweck

Der 360°-Kreuzlinienlaser dient zur Bestimmung und Überprüfung von horizontalen und vertikalen Linien an der Wand und ist daher zum Ausrichten von Objekten wie Küchen, Wänden, Decken, Fliesen oder Bildern vorgesehen. Der Linienlaser ist für den Einsatz in Innenräumen vorgesehen.

TECHNISCHE DATEN

Modellnummer	LL505DC	LL506DC
Richtung der Strahlen	Vertikal / 360° horizontal	
Farbe der Laserlinie	Rot	Grün
Laser-Wellenlänge	620~690 nm	510~530 nm
Laser Klasse	II (<mW) gemäß EN60825-1: 2014;	
Arbeitsbereich*	20m	40m
Genauigkeit	± 0.5 mm/m	
Selbstnivellierungsbereich	± 6°	
Nivellierungsdauer	4s	
Schutzklasse	IP 20	

Stativanschlussvorrichtung	1/4"	
Stativanschlussbügel	1/4" and 5/8"	
Empfohlenes Stativ	LL801AA	
Betriebsdauer, max.	12.5 stunden	4 stunden
Betriebstemperatur	-10~40 °C	
Aufbewahrungstemperatur	-20~70 °C	
Aufladbarer Akkupack	3.7V, 2600mAh (Li-Ionen)	
Akkuladezeit	3 Stunden	
Gewicht (ohne Magnethalterung)	380 g	
Abmessungen (ohne Magnethalterung)	105x60x115 mm	

* Der Arbeitsbereich kann sich durch ungünstige Umgebungsbedingungen (z.B. direkte Sonneneinstrahlung) reduzieren.

BESCHREIBUNG

Die Buchstaben und Ziffern im folgenden Text verweisen auf die Abbildungen auf den Seiten 2 bis 4.

1. An-/Ausschalter
2. Sperrschalter
3. Laserstrahlausgang
4. LED-Anzeige
5. Betriebsmodus-LED
6. Magnethalterung
7. Aufhängeloch
8. Einstellknopf (Höhe)
9. Befestigungsrad
10. 1/4-Zoll-Stativanschluss
11. 5/8"-Stativanschluss
12. 1/4"-Außengewinde
13. Magnete
14. USB-Typ-C-Stecker*
15. USB-Kabel*
16. USB-Typ-A-Stecker*
17. USB-Typ-C-Anschluss*

* USB Type-CR und USB-CR sind Marken des USB Implementers Forum.

3. MONTAGE

Verwendung der Magnethalterung (Abb. B)

Mit dieser Halterung (6) lässt sich das Gerät mit Hilfe der Magnete (13) auf der Rückseite an jeder senkrechten Fläche aus Stahl oder Eisen befestigen. Die Halterung verfügt zudem über ein Aufhängeloch (7), mit dem das Gerät an einem Nagel oder einer Schraube an jeder geeigneten Oberfläche aufgehängt werden kann.

So bringen Sie den 360°-Kreuzlinienlaser an der Halterung an:

1. Schrauben Sie das Außengewinde des Bügels (12) mit Hilfe des Rades (9) in den Stativanschluss (10) am Gerät ein.
2. Verwenden Sie die Höheneinstellung (8), um den 360°-Kreuzlinienlaser auf die gewünschte Höhe einzustellen. Zur Demontage gehen Sie in umgekehrter Reihenfolge vor.

Verwendung des Stativs (nicht im Lieferumfang enthalten) (Abb. B)

1. Setzen Sie das Gerät mit dem Stativanschluss (10, 11) auf das Gewinde des Stativs oder eines herkömmlichen Kamerastativs.
2. Richten Sie das Stativ vor dem Einschalten des Geräts grob aus.

4. BETRIEB



Zur Markierung darf nur die Mitte der Laserlinie verwendet werden. Die Breite der Laserlinie ändert sich in Abhängigkeit vom Abstand.



Es wird empfohlen, vor der ersten Verwendung eine Genauigkeitsprüfung und bei der zukünftigen Verwendung regelmäßige Überprüfungen durchzuführen, insbesondere wenn Präzision besonders wichtig ist. Das gilt auch, wenn der Laser möglicherweise fallen gelassen wurde.



Verletzungsgefahr durch defekte Bauteile! Das Produkt darf nur in Betrieb genommen werden, wenn keine Mängel festgestellt wurden. Stellen Sie sicher, dass defekte Teile ersetzt wurden, bevor das Produkt erneut verwendet wird.



ACHTUNG! Gefahr von Verletzungen durch Laserstrahlen! Niemals den Messstrahl auf Menschen, andere Lebewesen oder reflektierende Flächen richten.

Aufladen des Geräts (Abb. C)



Der Akku des Geräts muss vor der erstmaligen Benutzung aufgeladen werden.

1. Stecken Sie den USB-Type-C-Stecker (14) in den USB-Type-C-Anschluss (17) am Gerät.
2. Stecken Sie den USB-Type-A-Stecker (16) in einen Netzadapter (nicht im Lieferumfang enthalten) oder in ein Gerät (z. B. PC, Powerbank) mit passender USB-Buchse. Beachten Sie, dass das Gerät in der Lage sein sollte, konstant 5V 2A-Strom zu liefern.
3. Die Akku-LED-Anzeige (4) leuchtet auf und zeigt den Ladestatus an.

Status des LED-Ladegeräts

Rot	Akku wird geladen
Grün	Ladevorgang beendet, Akku voll aufgeladen

4. Wenn der Akku vollständig geladen ist, ziehen Sie den USB-Typ-C-Stecker (14) vom USB-Typ-C-Anschluss (17) ab.



Wenn die Batterie leer ist, lässt sich das Gerät mit dem Ladegerät oder mit einer Power Bank betreiben. Befolgen Sie die obigen Schritte.



Wenn das Werkzeug für einen längeren Zeitraum nicht verwendet wird, sollte das Werkzeug möglichst mit einem voll aufgeladenen Akku aufbewahrt werden.

Überprüfen Sie das Gerät:

- Überprüfen Sie alle Teile auf festen Sitz.
- Überprüfen Sie, ob es sichtbare Mängel gibt: gebrochene Teile, Risse usw.
- Überprüfen Sie die Genauigkeit, wenn Sie den Laser erstmalig verwenden oder wenn der Laser seit einiger Zeit nicht mehr auf Genauigkeit überprüft wurde.
- Überprüfen Sie die Genauigkeit auch, wenn der Laser möglicherweise fallen gelassen wurde.

Selbstnivellierungsmodus (Abb. A, D)

Die Laser werden durch das Pendel automatisch so ausgerichtet, dass die vertikalen und horizontalen Linien auf gleicher Höhe an der Wand angezeigt werden.

1. Stellen Sie den Laser auf eine ebene Fläche oder bringen Sie ihn an der Universalklemme (6) oder am Stativ an (nicht im Lieferumfang enthalten) und befestigen Sie ihn wie oben beschrieben.
2. Schieben Sie den Sperrschalter (2) nach rechts.
3. Die Laserlinien können einzeln oder alle gleichzeitig eingeschaltet werden.
 - Drücken Sie den An-/Ausschalter (1) am Gerät, um die horizontale und die vordere vertikale Linie einzuschalten.
 - Drücken Sie den An-/Ausschalter (2) zweimal für den vertikalen vorderen Laserstrahl.
 - Drücken Sie den An-/Ausschalter (2) dreimal für den horizontalen Laserstrahl.
4. Wenn die Betriebsmodus-LED (5) rot leuchtet und der Laser blinkt, wird der zulässige Neigungsbereich von 6 Grad überschritten. Halten Sie das Gerät in horizontaler Lage, bis die Betriebsmodus-LED (5) grün leuchtet und der Laser aufhört zu blinken.
5. Zum Ausschalten schieben Sie den Sperrschalter (2) nach links und drücken den An-/Ausschalter (1). Der Laser schaltet sich ab und das Pendel wird verriegelt.



Schieben Sie den Sperrschalter (2) nach links, um das Gerät zu transportieren. Damit wird die Pendelvorrichtung gesperrt, da sie sonst beschädigt werden kann.

Manueller Modus (Abb. A)

Der Laser kann manuell auf den gewünschten Winkel ausgerichtet werden, um z.B. eine diagonale Linie anzuzeigen.

1. Stellen Sie den Laser auf eine ebene Fläche oder bringen Sie ihn an der Universalklemme (6) oder am Stativ an (nicht im Lieferumfang enthalten) und befestigen Sie ihn wie oben beschrieben.
2. Prüfen Sie, ob der Sperrschalter (2) nach links gestellt ist. Falls nicht, schieben Sie den Sperrschalter (2) nach links.
3. Die Laserlinien können einzeln oder alle gleichzeitig eingeschaltet werden.
 - Drücken Sie den An-/Ausschalter (1) am Gerät, um die horizontale und die vordere

vertikale Linie einzuschalten.

- Drücken Sie den An-/Ausschalter (2) zweimal für den vertikalen vorderen Laserstrahl.
- Drücken Sie den An-/Ausschalter (2) dreimal für den horizontalen Laserstrahl.

Die Betriebsmodus-LED (5) leuchtet rot auf, da das Pendel gesperrt ist.

4. Jetzt können Sie den Laser in den gewünschten Winkel neigen, so dass die Linien diagonal an Wand, Boden oder Decke angezeigt werden.
5. Um das Gerät auszuschalten, halten Sie den An-/Ausschalter (1) gedrückt. Prüfen Sie, ob der Sperrschalter (2) nach links gestellt ist. Falls nicht, schieben Sie den Sperrschalter (2) nach links.

5. WARTUNG**Genauigkeitsprüfung**

Zur Markierung darf nur die Mitte der Laserlinie verwendet werden. Die Breite der Laserlinie ändert sich in Abhängigkeit vom Abstand.

Schnellkontrolle der horizontalen Linie (Abb. A, E1)

1. Stellen Sie das Gerät etwa 5 Meter von der Wand entfernt auf.
2. Schieben Sie den Sperrschalter (2) nach rechts. Drücken Sie den An-/Ausschalter (2) dreimal für den horizontalen Laserstrahl. Wenn die Betriebsmodus-LED (5) rot leuchtet und der Laser blinkt, wird der zulässige Neigungsbereich von 6 Grad überschritten. Halten Sie das Gerät in horizontaler Lage, bis die Betriebsmodus-LED (5) grün leuchtet und der Laser aufhört zu blinken.
3. Bringen Sie nach der Selbstnivellierung eine horizontale Markierung an der Wand an, siehe Abbildung E1. Kennzeichnen Sie dies als Punkt A.
4. Drehen Sie den Laser 2,5 m nach rechts.
5. Schalten Sie den Laser ein und bringen Sie nach der Selbstnivellierung eine horizontale Markierung an der Wand an. Kennzeichnen Sie dies wie in Abb. E1 dargestellt als Punkt B. Wenn die Punkte A und B aus einer vertikalen Perspektive mehr als 2,5 mm voneinander entfernt sind, ist eine Kalibrierprüfung erforderlich.

Schnellkontrolle der vertikalen Linie (Abb. A, E2)

1. Stellen Sie das Gerät etwa 5 Meter von der Wand entfernt auf.
2. Hängen Sie ein 2,5 m langes Seil mit einem Gewicht am Ende an die Wand, siehe Abbildung E2. Das Seil muss frei schwingen können.
3. Schieben Sie den Sperrschalter (2) nach rechts. Drücken Sie den An-/Ausschalter (2) zweimal für den vertikalen vorderen Laserstrahl. Positionieren Sie die vertikale Linie neben dem Kabel. Wenn die Betriebsmodus-LED (5) rot leuchtet und der Laser blinkt, wird der zulässige Neigungsbereich von 6 Grad überschritten. Halten Sie das Gerät in horizontaler Lage, bis die Betriebsmodus-LED (5) grün leuchtet und der Laser aufhört zu blinken. Nach der Selbstnivellierung darf die Differenz $\pm 2,5$ mm nicht überschreiten. Bei einer Abweichung von mehr als 2,5 mm voneinander ist eine Kalibrierprüfung erforderlich.

Kalibrierprüfung (Abb. A, F)

Die Genauigkeit des horizontalen Strahls kann wie folgt überprüft werden:

1. Stellen Sie das Gerät auf einem Stativ in der Mitte eines Raums auf, dessen Wände idealerweise 5 Meter entfernt sind.
2. Schieben Sie den Sperrschalter (2) nach rechts. Drücken Sie den An-/Ausschalter (2) dreimal für den horizontalen Laserstrahl. Wenn die Betriebsmodus-LED (5) rot leuchtet und der Laser blinkt, wird der zulässige Neigungsbereich von 6 Grad überschritten. Halten Sie das Gerät in horizontaler Lage, bis die Betriebsmodus-LED (5) grün leuchtet und der Laser aufhört zu blinken.
3. Bringen Sie nach der Selbstnivellierung eine horizontale Markierung irgendwo an der Wand an, um die Höhe des Strahls anzugeben. Kennzeichnen Sie dies wie in Abb. F1 dargestellt als Punkt A.
4. Drehen Sie das Gerät um 180° und markieren Sie nach der Selbstnivellierung den Punkt B, siehe Abb. F2.
5. Drehen Sie das Gerät um 180°. Positionieren Sie das Gerät so nahe wie möglich in Höhe von Punkt A an der Wand, siehe Abb. F3.
6. Drehen Sie das Gerät um 180° und markieren Sie nach der Selbstnivellierung den Punkt C. Diese Markierung sollte sich entweder direkt über, unter oder auf Punkt B befinden, siehe Abb. F4. Der Unterschied zwischen den Punkten B und C ist die Toleranz.

Wenn B und C mehr als 0,5 mm/m voneinander entfernt sind, ist eine Justierung erforderlich. Wenden Sie sich an Ihren autorisierten Händler oder an die Vonroc-Serviceabteilung.

Reinigung

HINWEIS! Gefahr von Produktschäden! Bei der Reinigung niemals Wasser in Wasser eintauchen.

Keine Reinigungs- oder Lösungsmittel verwenden. Wischen Sie das Gerät mit einem trockenen Tuch ab.

Aufbewahrung

HINWEIS! Gefahr von Produktschäden! Messgeräte immer mit Sorgfalt behandeln.

- Bewahren Sie das Produkt an einem trockenen, gut belüfteten Ort auf.
- Lagern und transportieren Sie das Produkt nur in der Originalverpackung.
- Vermeiden Sie große Temperaturschwankungen: Vor Gebrauch in extrem kalten oder heißen Umgebungen muss sich das Gerät immer erst eine Weile an die Umgebung anpassen.



HINWEIS! Gefahr von Produktschäden! Alte, undichte Batterien können das Produkt beschädigen. Überprüfen Sie die Batterie regelmäßig.

UMWELTSCHUTZ

Schadhafte und/oder zu entsorgende elektrische oder elektronische Werkzeuge und Geräte müssen an den dafür vorgesehenen Recycling-Stellen abgegeben werden.

Nur für EG-Länder

Entsorgen Sie Elektrowerkzeuge nicht über den Hausmüll. Entsprechend der EU-Richtlinie 2012/19/ EG über Elektro- und Elektronik-Altgeräte sowie der Umsetzung in nationales Recht müssen Elektrowerkzeuge, die nicht mehr im Gebrauch sind, getrennt gesammelt und umweltschonend entsorgt werden.

GARANTIE

VONROC-Produkte werden nach den höchsten Qualitätsstandards entwickelt und sind für den gesetzlich festgelegten Zeitraum, ausgehend von dem ursprünglichen Kaufdatum, garantiert frei von Fehlern in Material und Ausführung. Sollte das Produkt in diesem Zeitraum aufgrund von Material- und/oder Verarbeitungsmängeln Fehler aufweisen, wenden Sie sich bitte direkt an VONROC Kundendienst.

Folgende Umstände sind von der Garantie ausgeschlossen:

- Reparaturen und oder Änderungen an der Maschine, die durch nicht-autorisierte Servicestellen vorgenommen oder versucht wurden.
- Normale Abnutzung und Verschleiß.
- Das Werkzeug wurde übermäßig beansprucht, missbräuchlich verwendet oder falsch gewartet.
- Es wurden keine Original-Ersatzteile verwendet.

Dies stellt die einzige Gewährleistung des Unternehmens dar, sowohl ausdrücklich als auch implizit. Es gibt keine anderen ausdrücklichen oder stillschweigenden Garantien, die über das hier Genannte hinausgehen, einschließlich der stillschweigenden Garantien der Marktgangigkeit oder Eignung für einen bestimmten Zweck. In keinem Fall ist VONROC haftbar für Neben- oder Folgeschäden. Die Rechtsmittel des Handlers beschränken sich auf Reparatur oder Ersatz fehlerhafter Einheiten oder Teile.

Am Produkt und am Benutzerhandbuch können Änderungen vorgenommen werden. Die technischen Daten können sich ohne Vorankündigung ändern.

1. VEILIGHEIDSVOORSCHRIFTEN

Lees de bijgesloten veiligheidswaarschuwingen, de aanvullende veiligheidswaarschuwingen en de instructies. Het niet opvolgen van de veiligheidswaarschuwingen kan elektrische schokken, brand en/of ernstig letsel tot gevolg hebben. Bewaar de veiligheidswaarschuwingen en instructies als naslagwerk voor later.

De volgende symbolen worden gebruikt in de gebruikershandleiding of op het product:



Lees de gebruikershandleiding.



Duidt op het risico van lichamelijk letsel, overlijden en/of beschadiging van het gereedschap, als de instructies in deze gebruiksaanwijzing niet in acht worden genomen.



Niet gebruiken in regen.



Alleen binnenshuis gebruiken.



Werp het product niet weg in ongeschikte containers.



Het product voldoet aan de geldende veiligheidsnormen vermeld in de Europese richtlijnen.



Risico van oogletsel door laserstralen! Kijk nooit direct in de laser en richt de laserstraal niet op reflecterende oppervlakken!

ALGEMENE VEILIGHEIDSinSTRUCTIES

- Om dit apparaat veilig te kunnen gebruiken moet de gebruiker deze instructies hebben gelezen en begrepen, voordat het apparaat voor de eerste keer wordt gebruikt.
- Neem alle veiligheidsinstructies in acht! Wanneer u dat niet doet, kan dat u en anderen schaden.
- Bewaar alle gebruiksinstructies, en veiligheidsinstructies zodat u deze later ook nog kunt raadplegen.
- Als u dit apparaat aan iemand anders geeft of doorverkoopt, moet u ook deze bedieningsinstructies overdragen.
- Dit apparaat mag alleen worden gebruikt wanneer deze goed werkt. Als het product of

een deel van het product niet goed functioneert, moet het apparaat niet meer worden gebruikt en op juiste wijze worden weggedaan.

- Gebruik het apparaat nooit in een vertrek waar explosiegevaar heerst, of in de buurt van brandbare vloeistoffen of gassen.
- Houd kinderen uit de buurt van dit apparaat! Houd het apparaat weg bij kinderen en bij andere onbevoegde personen.

SPECIFIEKE VEILIGHEIDSINSTRUCTIES

- Het apparaat is bedoeld voor gebruik in een droge omgeving.
- Vermijd de inwerking van vocht en vuil en ook van direct zonlicht.
- Gebruik het apparaat niet in de buurt van lasmachines, inductieverwarmingen en andere elektromagnetische velden.
- Stel het apparaat niet gedurende een langere tijd bloot aan hoge temperaturen.
- Symbolen die op het apparaat worden getoond, mogen niet worden verwijderd of afgedekt. Aanduidingen op het apparaat die niet meer leesbaar zijn, moeten onmiddellijk worden vervangen.

VEILIGHEIDSVOORSCHRIFTEN VOOR DE ACCU

- Open de accu niet.** Er bestaat gevaar voor kortsluiting.
- Bescherm de accu tegen hitte, bijvoorbeeld ook tegen voortdurend zonlicht, vuur, water en vocht.** Er bestaat explosiegevaar.
- Bij beschadiging en onjuist gebruik van de accu kunnen er dampen vrijkomen. Zorg voor frisse lucht en raadpleeg bij klachten een arts.** De dampen kunnen de lucht wegen irriteren.
- Gebruik de accu alleen in combinatie met uw Vonroc product.** Alleen zo wordt de accu tegen gevaarlijke overbelasting beschermd.
- Door scherpe voorwerpen, zoals bijv. spijkers of schroevendraaiers of door krachtinwerking van buitenaf kan de accu beschadigd worden.** Het kan tot een interne kortsluiting leiden en de accu doen branden, roken, exploderen of oververhitten.

Werken met laserstralen

- Kijk niet direct in de straal, ook niet van grote afstand.
- Richt de meetstraal nooit op mensen, andere levende wezens of reflecterende oppervlakken.

- Conventionele laserbrillen bieden geen bescherming tegen de gevaren van laserstralen. De functie ervan is alleen u de laserstraal beter te laten waarnemen.

LL505DC laser rood:



LL506DC laser groen:



2. TECHNISCHE INFORMATIE

Bedoeld gebruik

De 360°-kruislijnlasers is bedoeld voor het bepalen en controleren van horizontale en verticale lijnen op muren, daarom is de laser ideaal voor het uitlijnen van voorwerpen zoals keukens, plafonds, tegels of schilderijen. De kruislijnlasers is geschikt voor gebruik binnenshuis.

TECHNISCHE SPECIFICATIES

Model Nr.	LL505DC	LL506DC
Richting van de laserstralen	Verticaal / 360° horizontaal	
Kleur van de laserstraal	Rood	Groen
Laserstraal golflengte	620~690 nm	510~530 nm
Laserklasse	II (<mW) volgens EN60825-1: 2014;	
Werkbereik*	20m	40m
Nauwkeurigheid	± 0.5 mm/m	
Zelfnivellerend bereik	± 6°	
Zelfnivellerings tijdsduur	4 s	
Beschermingsklasse	IP 20	
Bevestiging voor statief	1/4"	
Beugel voor statiefbevestiging	1/4" and 5/8"	
Aanbevolen statief	LL801AA	

Bedrijfstijd, max.	12.5 uren	4 uren
Bedrijfstemperatuur	-10~40 °C	
Opslagtemperatuur	-20~70 °C	
Oplaadbare accu	3.7V, 2600mAh (Li-ion)	
Laadtijd accu	3 uur	
Gewicht (zonder magnetische beugel)	380 g	
Afmetingen (zonder magnetische beugel)	105x60x115 mm	

* Het werkbereik kan worden verkleind door een ongunstige werkomgeving (bijv. direct zonlicht).

BESCHRIJVING

De nummers in de tekst verwijzen naar de illustraties op pagina 2-4.

1. Aan/Uit-knop
2. Vergrendelingsschakelaar
3. Uitgang laserstraal
4. LED-indicatielampje
5. LED Bedieningsstand
6. Magnetische beugel
7. Ophanggat
8. Afstelknop (voor de hoogte)
9. Montageschijf
10. ¼ inch schroefdraad voor statief
11. 5/8" statiefbevestiging
12. 1/4" mannelijke schroefdraad
13. Magneten
14. USB-stekker type C*
15. USB-kabel*
16. USB-stekker type A*
17. USB-connector type C*

* USB Type-C en USB-A zijn handelsmerken van het USB Implementers Forum.

3. ASSEMBLAGE

De magnetische beugel gebruiken (Afb. B)

Met deze beugel (6) kunt u het apparaat met de magneten (13) aan de achterkant aan alle rechte stalen of ijzernen voorwerpen bevestigen. De beugel heeft ook een ophanggat (7), hiermee kunt u de beugel ophangen aan een spijker, schroef of ander geschikt oppervlak.

U kunt de 360°-kruislijnlasers aan de beugel bevestigen door als volgt te werk te gaan:

1. Schroef de mannelijke schroefdraad (12) van de beugel met de montageschijf (9) in de statiefbevestiging (10) van het apparaat.
2. Stel de 360°-kruislijnlaser af met de afstelknop (8) voor de hoogte op de gewenste hoogte. Herhaal de stappen in omgekeerde volgorde als u de beugel wilt verwijderen.

Het statief gebruiken (niet meegeleverd) (Afb. B)

1. Plaats het apparaat met de statiefbevestiging (10, 11) op de schroefdraad van het statief of op een conventioneel camerastatief.
2. Lijn het statief ruwweg uit voor u het apparaat inschakelt.

4. BEDIENING



Alleen het midden van de laserstraal mag worden gebruikt om te markeren. De breedte van de laserstraal verandert afhankelijk van de afstand.



Het is aan te raden een nauwkeurigheidscntrole uit te voeren voor het eerste gebruik en daarna periodiek tijdens toekomstig gebruik, in het bijzonder voor nauwkeurige projecten. Voer ook een controle uit als de laser is gevallen.



Gevaar voor letsel door defecte componenten! Het product mag alleen in gebruik worden genomen als er geen defecten worden ontdekt. Zorg ervoor dat eventuele defecte onderdelen worden vervangen voordat het product weer wordt gebruikt.



WAARSCHUWING! Risico van letsel door laserstraal! Richt de laserstraal nooit op mensen, andere levende wezens of reflecterende oppervlakken.

Het apparaat opladen (Afb. C)



Het apparaat moet voorafgaand aan het eerste gebruik worden opgeladen.

1. Steek de USB-stekker type C (14) in de USB-connector type C (17) op het apparaat.
2. Steek de USB-stekker type A (16) in de voedingsadapter (niet meegeleverd) of het toestel(-

- bijv. computer, powerbank) met een geschikte USB contra-connector. NB. Het toestel moet een constant vermogen van 5V 2A kunnen leveren.
3. Het LED-indicatielampje (4) van de accu gaat branden en geeft de laadstatus weer.

LED Status van lader	
Rood	Bezig met opladen van accu
Groen	Laden voltooid, accu volledig opgeladen

4. Trek, wanneer de accu volledig is opgeladen, de stekker (14) van het type C uit de USB-connector type C (17).



Als de accu leeg is kunt u het apparaat ook gebruiken met de lader of een powerbank. Volg de bovenstaande stappen.



Wanneer deze machine gedurende een langere tijd niet wordt gebruikt, is het raadzaam de accu te bewaren in opgeladen toestand.

Controleer het apparaat:

- Controleer alle onderdelen zodat u zeker weet dat ze goed vastzitten.
- Controleer het apparaat op zichtbare defecten: gebroken onderdelen, scheuren, enz.
- Controleer de nauwkeurigheid wanneer u de laser voor de eerste keer gebruikt, of wanneer de nauwkeurigheid van de laser al een tijdje niet is gecontroleerd.
- Controleer de nauwkeurigheid ook wanneer de laser is gevallen.

Zelfnivelleringsstand (Afb. A, D)

1. Plaats de laser op een vlak oppervlak, of monteer het apparaat op de magnetische beugel (6) of een statief (niet meegeleverd) en maak het apparaat vast zoals hierboven wordt beschreven.
2. Schuif de vergrendeling (2) van de schakelaar naar rechts.
3. De laserstralen kunnen afzonderlijk van elkaar of allemaal tegelijk worden ingeschakeld.
 - Schakel met een druk op de AAN/UIT-knop (1) op het apparaat de horizontale lijn en de voorste verticale lijn in.
 - Twee keer drukken op de AAN/UIT-knop (2) voor de verticale laserlijn.

- Drie keer drukken op de AAN/UIT-knop (2) voor de horizontale laserlijn.
4. Als de LED (5) van de bedieningsstand rood brandt en de laser knippert, wordt de maximaal toegestane helling van 6 graden overschreden. Plaats het apparaat horizontaal zodat de LED (5) van de bedieningsstand groen brandt en de laserlijn niet meer knippert.
 5. Schakel het apparaat uit door de vergrendeling (2) van de schakelaar naar links te schuiven en de AAN/UIT-knop (1) ingedrukt te houden. De laser gaat uit en de slingerwerking wordt vergrendeld.



Schuif de vergrendeling (2) van de schakelaar naar links wanneer u het apparaat vervoert. Zo wordt het slingermechanisme vergrendeld, dat anders beschadigd zou kunnen raken.

Handmatige modus (Afb. A)

De laser kan handmatig worden ingesteld op de hoek die u nodig hebt, hierdoor kunt u bijvoorbeeld een diagonale lijn weergeven.

1. Plaats de laser op een vlak oppervlak, of monteer het op de magnetische beugel (6) of een statief (niet meegeleverd) en maak het vast zoals hierboven wordt beschreven.
2. Controleer of de vergrendelingsknop (2) naar links staat. Als dat nog niet zo is, schuif de vergrendelingsknop (2) dan naar links.
3. De laserstralen kunnen afzonderlijk van elkaar of allemaal tegelijk worden ingeschakeld.
 - Schakel met een druk op de AAN/UIT-knop (1) op het apparaat de horizontale lijn en de voorste verticale lijn in.
 - Twee keer drukken op de AAN/UIT-knop (2) voor de verticale laserlijn.
 - Drie keer drukken op de AAN/UIT-knop (2) voor de horizontale laserlijn.
 De LED van de bedieningsstand (5) gaat rood branden, omdat de slingerwerking is vergrendeld.
4. Nu kunt u de laser in de gewenste stand kantelen, zodat de lijnen diagonaal op de wand, de vloer of het plafond worden weergegeven.
5. Schakel de apparatuur uit door de AAN/UIT-knop (1) ingedrukt te houden. Controleer of de vergrendelingsknop (2) naar links staat. Als dat nog niet zo is, schuif de vergrendelingsknop (2) dan naar links.

5. ONDERHOUD

Nauwkeurigheidscontroler



Alleen het midden van de laserstraal mag worden gebruikt om te markeren.

De breedte van de laserstraal verandert afhankelijk van de afstand.

Snel de horizontale laserstraal controleren (Afb. A, E1)

1. Plaats het apparaat ongeveer 5 meter van de muur vandaan.
2. Schuif de vergrendeling (2) van de schakelaar naar rechts. Drie keer drukken op de AAN/UIT-knop (2) voor de horizontale laserlijn. Als de LED (5) van de bedieningsstand rood brandt en de laser knippert, wordt de maximaal toegestane helling van 6 graden overschreden. Plaats het apparaat horizontaal zodat de LED (5) van de bedieningsstand groen brandt en de laserlijn niet meer knippert.
3. Maak na het zelfnivelleren een horizontale markering op de muur, zoals afgebeeld in afbeelding E1. Markeer dit punt als punt A.
4. Draai de laser 2,5 m naar rechts.
5. Zet de laser aan en zet na het zelfnivelleren een horizontale markering op de muur. Markeer dit punt als punt B, zoals afgebeeld in afbeelding E1. Als punt A en B verder dan 2,5mm uit elkaar staan, vanuit een verticaal oogpunt gezien, moet u een kalibratiecontrole uitvoeren.

Snel de verticale laserstraal controleren (Afb. A, E2)

1. Plaats het apparaat ongeveer 5 meter van de muur vandaan.
2. Hang een touw van 2,5 meter aan de muur met aan het uiteinde een gewicht, zoals afgebeeld in afbeelding E2. Het touw moet vrij kunnen bewegen.
3. Schuif de vergrendeling (2) van de schakelaar naar rechts. Twee keer drukken op de AAN/UIT-knop (2) voor de verticale voorste laserlijn. Positioneer de verticale laserlijn naast de draad. Als de LED (5) van de bedieningsstand rood brandt en de laser knippert, wordt de maximaal toegestane helling van 6 graden overschreden. Plaats het apparaat horizontaal zodat de LED (5) van de bedieningsstand groen brandt en de laserlijn niet meer knippert. Na het zelfnivelleren mag het verschil niet groter zijn dan $\pm 2,5$

mm. Wanneer het verschil groter is dan 2,5mm, moet u een kalibratiecontrole uitvoeren.

Kalibratiecontrole (Afb. A, F)

De nauwkeurigheid van de horizontale laserstraal kan met de volgende stappen worden gecontroleerd:

1. Plaats het apparaat op een statief in het midden van een ruimte, met de muren idealiter 5 meter van de laser verwijderd.
2. Schuif de vergrendeling (2) van de schakelaar naar rechts. Drie keer drukken op de AAN/UIT-knop (2) voor de horizontale laserlijn. Als de LED (5) van de bedieningsstand rood brandt en de laser knippert, wordt de maximaal toegestane helling van 6 graden overschreden. Plaats het apparaat horizontaal zodat de LED (5) van de bedieningsstand groen brandt en de laserlijn niet meer knippert.
3. Maak na het zelfnivelleren een horizontale markering op de muur om de hoogte van de laserstraal aan te geven, dit kan op elk punt van de laserstraal. Markeer dit punt als punt A, zoals afgebeeld in Afb. F1.
4. Draai het apparaat 180° en markeer na het zelfnivelleren punt B, zoals afgebeeld in Afb. F2.
5. Draai het apparaat 180°. Plaats het apparaat zo dicht mogelijk tegen de muur op de hoogte van punt A, zoals afgebeeld in Afb. F3.
6. Draai het apparaat 180° en markeer na het zelfnivelleren punt C. Deze markering moet direct boven, onder of precies op punt B zijn, zoals afgebeeld in Afb. F4. Het verschil tussen punt B en C is de afwijking.

Wanneer punt B en C verder dan 0,5 mm/ m uit elkaar staan, moet het apparaat opnieuw worden afgesteld. Neem contact op met een geautoriseerd verkooppunt of de Vonroc serviceafdeling.

Reiniging



KENNISGEVING! Risico van beschadiging van het product! Dompel tijdens de reiniging het product nooit onder in water.

Gebruik geen reinigingsmiddelen of oplosmiddelen. Veeg de thermometer schoon met een droge doek.

Opslag



KENNISGEVING! Risico van beschadiging van het product! Behandel meetinstrumenten altijd met zorg.

- Berg het product op een droge, goed geventileerde plaats op.
- Gebruik voor opslag en transport van het product uitsluitend de originele verpakking.
- Voorkom grote temperatuurschommelingen: Laat het product altijd enige tijd op temperatuur komen wanneer u het gaat gebruiken in omgevingen met extreem lage of hoge temperaturen.



KENNISGEVING! Risico van beschadiging van het product! Oude, lekkende batterijen kunnen het product beschadigen. Controleer de batterij regelmatig.

Dit vormt de enige garantie opgesteld door het bedrijf zowel expliciet als impliciet. Er bestaan geen andere garanties expliciet of impliciet welke verder gaan dan deze garantie, inclusief impliciete garanties van verkoopbaarheid en geschiktheid voor bepaalde doeleinden. In geen enkel geval kan VONROC aansprakelijk worden gesteld voor incidentele schade of gevolgschade. Reparaties van dealers zijn gelimiteerd tot de reparatie of vervanging van defecte producten of onderdelen.

Het product en de gebruikershandleiding zijn onderhevig aan wijzigingen. Specificaties kunnen zonder opgaaf van redenen worden gewijzigd.

MILIEU



Defecte en/of afgedankte elektrische of elektronische gereedschappen dienen ter verwerking te worden aangeboden aan een daarvoor verantwoordelijke instantie.

Uitsluitend voor EG-landen

Werp elektrisch gereedschap niet weg bij het huisvuil. Conform de Europese Richtlijn 2012/19/EG voor Afgedankte Elektrische en Elektronische Apparatuur en de implementatie ervan in nationaal recht moet niet langer te gebruiken elektrisch gereedschap gescheiden worden verzameld en op een milieuvriendelijke wijze worden verwerkt.

GARANTIE

VONROC producten zijn ontworpen volgens de hoogste kwaliteitsstandaarden en gegarandeerd vrij van defecten, zowel materieel als fabrieksfouten, tijdens de wettelijk vastgestelde garantieperiode vanaf de eerste aankoopdatum. Mocht het product tijdens deze periode gebreken vertonen veroorzaakt door defecte materialen en/of fabrieksfouten, neem dan rechtstreeks contact op met VONROC.

De volgende situaties vallen niet onder de garantie:

- Er zijn reparaties of aanpassingen aan de machine uitgevoerd, of er is een poging daartoe ondernomen, door een niet-geautoriseerd servicecentrum.
- Normale slijtage.
- De machine is misbruikt, verkeerd gebruikt of slecht onderhouden.
- Er zijn niet-originele reserveonderdelen gebruikt.

1. CONSIGNES DE SECURITE

En plus des avertissements de sécurité suivants, veuillez également lire les avertissements de sécurité additionnels ainsi que les instructions. Le non-respect des avertissements de sécurité et des instructions peut entraîner une décharge électrique, un incendie et/ou des blessures graves. Veuillez conserver les avertissements de sécurité et les instructions pour consultation ultérieure.

Les symboles suivants sont utilisés dans le manuel d'utilisation ou apposés sur le produit:



Lisez le manuel d'utilisation.



Indique un risque de blessure, de décès ou de détérioration de l'outil en cas de non-respect des consignes de ce manuel.



Ne pas utiliser sous la pluie.



Utilisation en intérieur uniquement.



Ne jetez pas le produit dans des conteneurs qui ne sont pas prévus à cet effet.



Le produit est conforme aux normes de sécurité des directives européennes en vigueur.



Risque de dommages oculaires dû aux faisceaux laser! Ne regardez jamais directement le laser et ne dirigez jamais le faisceau laser vers des surfaces réfléchissantes!

CONSIGNES GÉNÉRALES DE SÉCURITÉ

- Afin d'utiliser cet appareil en toute sécurité, l'utilisateur doit lire et assimiler ces instructions d'utilisation avant d'utiliser l'appareil pour la première fois.
- Respectez toutes les consignes de sécurité! Ne pas le faire peut être dangereux pour vous et pour les autres.
- Conservez toutes les instructions d'utilisation ainsi que les consignes de sécurité pour pouvoir vous y référer dans le futur.
- Si vous vendez ou cédez l'appareil, vous devez y joindre ces instructions d'utilisation.

- L'appareil ne doit être utilisé que s'il fonctionne correctement. Si le produit ou l'une de ses pièces sont défectueux, il doit être mis hors d'usage et jeté correctement.
- N'utilisez jamais l'appareil dans une pièce où il existe un risque d'explosion ou à proximité de liquides ou de gaz inflammables.
- Gardez les enfants éloignés de l'appareil! Tenez l'appareil éloigné des enfants et des autres personnes non autorisées à l'utiliser.

CONSIGNES DE SÉCURITÉ SPÉCIFIQUES

- L'appareil est prévu pour être utilisé dans un environnement sec.
- Évitez les effets que pourraient provoquer l'humidité, l'encrassement, tout comme les rayons directs du soleil.
- Ne faites pas fonctionner l'appareil à proximité de machines à souder, de radiateurs à induction ou de tout autre champ électromagnétique.
- N'exposez pas l'appareil à de hautes températures trop longtemps.
- Les symboles apposés sur votre appareil ne doivent pas être retirés ou recouverts. Les signaux qui sont devenus illisibles sur l'appareil doivent être remplacés immédiatement.

AVERTISSEMENTS DE SECURITE POUR L'ACCU

- a) **Ne pas ouvrir l'accu.** Risque de court-circuit.
- b) **Protéger l'accu de toute source de chaleur, comme p. ex. l'exposition directe au soleil, au feu, à l'eau et à l'humidité.** Il y a risque d'explosion.
- c) **En cas d'endommagement et d'utilisation non conforme de l'accu, des vapeurs peuvent s'échapper. Ventiler le lieu de travail et, en cas de malaises, consulter un médecin.** Les vapeurs peuvent entraîner des irritations des voies respiratoires.
- d) **N'utilisez l'accumulateur qu'avec votre produit Vonroc.** Ceci protège l'accumulateur contre une surcharge dangereuse.
- e) **Les objets pointus comme un clou ou un tournevis et le fait d'exercer une force extérieure sur le boîtier risque d'endommager l'accu.** Il peut en résulter un court-circuit interne et l'accu risque de s'enflammer, de dégager des fumées, d'exploser ou de surchauffer.

Manipulation des faisceaux laser

- Ne regardez pas directement le faisceau, même à grande distance.
- Ne dirigez jamais le faisceau de prise de mesure vers quiconque ou vers des surfaces réfléchissantes.
- Les lunettes laser ordinaires ne protègent pas contre les risques liés aux faisceaux laser. Elles ne servent qu'à aider à voir le faisceau laser.

LL505DC laser rouge:**Avertissement - Faisceau laser**

Ne regardez jamais directement le faisceau laser! Laser **Classe, 2** conforme à la norme EN60825-1: 2014; λ : 620-690 nm; $P < 1\text{mW}$

LL506DC laser vert:**Avertissement - Faisceau laser**

Ne regardez jamais directement le faisceau laser! Laser **Classe, 2** conforme à la norme EN60825-1: 2014; λ : 510-530 nm; $P < 1\text{mW}$

2. INFORMATIONS RELATIVES A LA MACHINE**Utilisation prévue**

Le laser à lignes croisées 360° a été conçu pour aider à déterminer et à contrôler l'alignement horizontal et vertical sur un mur et il peut donc servir à aligner par exemple des éléments de cuisine, des murs, des plafonds, des carreaux muraux ou des photos. Le laser doit être utilisé à l'intérieur.

SPECIFICATIONS TECHNIQUES

N° de modèle	LL505DC	LL506DC
Sens du faisceau	Vertical / horizontal 360°	
Couleur de la ligne laser	Rouge	Vert
Longueur de l'onde laser	620~690 nm	510~530 nm
Classe laser	II (<mW) conforme à la norme EN60825-1: 2014;	
Plage de service*	20m	40m
Précision	± 0.5 mm/m	
Plage de mise à niveau automatique	± 6°	

Durée de la mise à niveau	4 s	
Classe de protection	IP 20	
Dispositif de raccordement pour trépied	1/4"	
Support de raccordement pour trépied	1/4" and 5/8"	
Trépied recommandé	LL801AA	
Autonomie maxi	12.5 heures	4 heures
Température de fonctionnement	-10~40 °C	
Température de stockage	-20~70 °C	
Bloc-batterie rechargeable	3.7V, 2600mAh (Li-ion)	
Temps de charge de la batterie	3 heures	
Poids (sans support magnétique)	380 g	
Dimensions (sans support magnétique)	105x60x115 mm	

* Il se peut que la plage de service soit réduite si les conditions ambiantes sont défavorables (ex : rayons directs du soleil).

DESCRIPTION

Les numéros dans le texte se rapportent aux schémas des pages 2-4.

1. Bouton Marche/Arrêt
2. Interrupteur de verrouillage
3. Sortie du faisceau laser
4. Témoin lumineux
5. Voyant Mode de fonctionnement
6. Support magnétique
7. Trou pour accrocher l'appareil
8. Bouton de réglage (hauteur)
9. Molette de fixation
10. Raccord 1/4» pour trépied
11. Raccord 5/8» pour trépied
12. Filetage mâle 1/4»
13. Aimants
14. Prise USB Type-C*
15. Câble USB*
16. Prise USB Type-A*
17. Connecteur USB Type-C*

* USB Type-C® et USB-C® sont des marques commerciales appartenant à USB Implementers Forum.

3. MONTAGE

Utiliser le support magnétique (Fig. B)

Ce support (6) permet d'installer l'appareil sur n'importe quelle surface verticale en acier ou en fer, à l'aide des aimants (13) qui se trouvent à l'arrière. Le support intègre aussi un trou pour accrocher l'appareil (7) à un clou ou à une vis sur n'importe quelle surface adaptée.

Pour installer le laser à lignes croisées 360 sur le support, procédez comme suit :

1. Vissez le filetage mâle du support (12) dans le raccord pour trépied (10) sur l'appareil en utilisant la molette (9).
2. Utilisez le dispositif de réglage en hauteur (8) pour régler le laser à lignes croisées 360 à la bonne hauteur. Procédez dans l'ordre inverse pour le démontage.

Utiliser le trépied (non fourni) (Fig. B)

1. Installez l'appareil avec le bon raccord pour trépied (10, 11) sur le filetage du trépied ou sur trépied pour appareil photo traditionnel.
2. Alignez grossièrement le trépied avant d'allumer l'appareil.

4. FONCTIONNEMENT



Il n'y a que le centre de la ligne laser qui doit être utilisée pour marquer des repères. La largeur de la ligne laser change en fonction de la distance.



Il est recommandé de procéder à un contrôle de la précision avant la première utilisation puis de façon périodique pendant les utilisations suivantes, et tout particulièrement si la disposition souhaitée doit être très précise. C'est aussi le cas si le laser subit une chute.



Risque de blessure dû à des composants défectueux! Le produit ne doit être utilisé que s'il est en parfait état. Assurez-vous que toutes les pièces défectueuses soient remplacées avant de réutiliser le produit.



AVERTISSEMENT! Risque de blessure dû au faisceau laser! Ne dirigez jamais le faisceau de prise de mesure vers quiconque ou vers des surfaces réfléchissantes.

Recharge l'appareil (Fig. C)



La machine doit être rechargée avant la première utilisation.

1. Branchez la prise USB type-C (14) dans le connecteur USB type-C (17) sur la machine.
2. Branchez la prise USB type-A (16) dans un adaptateur électrique (non fourni) ou un autre appareil (ex : ordinateur, batterie externe) disposant d'une prise USB femelle adaptée. Veillez noter que l'appareil en question doit être capable de fournir une puissance constante de 5V 2A.
3. La LED de la batterie (4) s'allume et indique l'état de la charge.

État voyant du chargeur	
Rouge	Batterie en cours de charge
Vert	Charge terminée, batterie complètement rechargée

4. Une fois la batterie complètement rechargée, retirez la prise USB type-C (10) du port USB type-C (13).



Si la batterie est vide, il est également possible d'allumer l'appareil à l'aide du chargeur ou d'un chargeur autonome (Power bank). Suivez les mêmes étapes que ci-dessus.



Quand la machine n'est pas utilisée pendant une période prolongée, il est préférable de la recharger.

Contrôlez l'appareil:

- Contrôlez toutes les pièces afin de vous assurer qu'elles sont parfaitement en place.
- Contrôlez l'absence de défauts visibles: pièces cassées, fissures, etc.
- Contrôlez la précision de l'appareil à la première utilisation ou si la précision du laser n'a pas été contrôlée depuis longtemps.
- Contrôlez également la précision du laser si celui-ci a subi une chute.

Mode Mise à niveau automatique (Fig. A, D)

Les lasers sont automatiquement alignés par le balancier de sorte que les lignes, verticale et horizontale, soient diffusées de niveau sur le mur.

1. Positionnez le laser sur une surface plate ou installez-le sur le support magnétique (6) ou sur un trépied (non fourni) et fixez-le tel que décrit plus haut.
2. Glissez l'interrupteur de verrouillage (2) vers la droite.
3. Les lignes laser peuvent être allumées une à la fois ou toutes en même temps.
 - Appuyez sur le bouton Marche/Arrêt (1) sur l'appareil pour allumer la ligne horizontale et la ligne verticale avant.
 - Appuyez deux fois sur le bouton Marche/Arrêt (2) pour allumer la ligne laser verticale avant.
 - Appuyez trois fois sur le bouton Marche/Arrêt (2) pour allumer la ligne laser horizontale.
4. Si le voyant Mode de fonctionnement (5) s'allume rouge et que le laser clignote, cela indique que la plage d'inclinaison autorisée de 6 degrés a été dépassée. Positionnez l'appareil à l'horizontale jusqu'à ce que le voyant du mode de fonctionnement (5) s'allume vert et que le laser cesse de clignoter.
5. Pour éteindre l'appareil, glissez l'interrupteur de verrouillage (2) vers la gauche et maintenez enfoncé le bouton Marche/Arrêt (1). Le laser s'éteint et le balancier est verrouillé.



Glissez l'interrupteur de verrouillage (2) vers la gauche pour transporter l'appareil. Cela permet de verrouiller le balancier pour ne pas l'endommager.

Mode manuel (Fig. A)

Il est possible d'aligner manuellement le laser à l'angle voulu, pour pouvoir par exemple diffuser une ligne diagonale.

1. Positionnez le laser sur une surface plate ou installez-le sur le support magnétique (6) ou sur un trépied (non fourni) et fixez-le tel que décrit plus haut.
2. Contrôlez que l'interrupteur de verrouillage (2) est bien sur la gauche. Si ce n'est pas le cas, glissez l'interrupteur de verrouillage (2) vers la gauche.
3. Les lignes laser peuvent être allumées une à la fois ou toutes en même temps.

- Appuyez sur le bouton Marche/Arrêt (1) sur l'appareil pour allumer la ligne horizontale et la ligne verticale avant.
- Appuyez deux fois sur le bouton Marche/Arrêt (2) pour allumer la ligne laser verticale avant.
- Appuyez trois fois sur le bouton Marche/Arrêt (2) pour allumer la ligne laser horizontale.

Le voyant Mode de fonctionnement (5) s'allume rouge pour indiquer que le balancier est verrouillé.

4. Vous pouvez alors incliner le laser à l'angle que vous voulez, de sorte que les lignes soient diffusées à la diagonale sur le mur, le sol ou le plafond.
5. Maintenez le bouton Marche/Arrêt (1) enfoncé pour éteindre l'équipement. Contrôlez que l'interrupteur de verrouillage (2) est bien sur la gauche. Si ce n'est pas le cas, glissez l'interrupteur de verrouillage (2) vers la gauche.

5. ENTRETIEN**Contrôler la précision**

Il n'y a que le centre de la ligne laser qui doit être utilisée pour marquer des repères. La largeur de la ligne laser change en fonction de la distance.

Contrôle rapide de la ligne horizontale (Fig. A, E1)

1. Positionnez l'appareil à environ 5 mètres du mur.
2. Glissez l'interrupteur de verrouillage (2) vers la droite. Appuyez trois fois sur le bouton Marche/Arrêt (2) pour allumer la ligne laser horizontale. Si le voyant Mode de fonctionnement (5) s'allume rouge et que le laser clignote, cela indique que la plage d'inclinaison autorisée de 6 degrés a été dépassée. Positionnez l'appareil à l'horizontale jusqu'à ce que le voyant du mode de fonctionnement (5) s'allume vert et que le laser cesse de clignoter.
3. Après la procédure de mise à niveau automatique, tracez un repère horizontal sur le mur, comme illustré par la figure E1. Appelez ce point A.
4. Tournez le laser de 2,5 m vers la droite.
5. Allumez le laser et après sa mise à niveau automatique, tracez un repère horizontal sur le mur. Appelez ce point B comme illustré par la figure E1. Si les points A et B sont à plus de 2,5mm l'un de l'autre à la verticale, un calibrage est nécessaire.

Contrôle rapide de la ligne verticale (Fig. A, E2)

1. Positionnez l'appareil à environ 5 mètres du mur.
2. Accrochez un cordeau de 2,5 mètres sur le mur avec un poids en extrémité comme illustré par la figure E2. Le cordeau doit pouvoir se balancer librement.
3. Glissez l'interrupteur de verrouillage (2) vers la droite. Appuyez deux fois sur le bouton Marche/Arrêt (2) pour allumer la ligne laser verticale avant. Positionnez la ligne verticale près du cordeau. Si le voyant Mode de fonctionnement (5) s'allume rouge et que le laser clignote, cela indique que la plage d'inclinaison autorisée de 6 degrés a été dépassée. Positionnez l'appareil à l'horizontale jusqu'à ce que le voyant du mode de fonctionnement (5) s'allume vert et que le laser cesse de clignoter. Après la mise à niveau automatique, la différence ne doit pas dépasser $\pm 2,5$ mm. Si elle est de plus de 2,5mm, un contrôle du calibrage est nécessaire.

Contrôle du calibrage (Fig. A, F)

La précision du faisceau horizontal peut être contrôlé en suivant ces étapes :

1. Placez l'appareil sur un trépied, au centre d'une pièce dont les murs sont idéalement à 5 mètres de distance.
2. Glissez l'interrupteur de verrouillage (2) vers la droite. Appuyez trois fois sur le bouton Marche/Arrêt (2) pour allumer la ligne laser horizontale. Si le voyant Mode de fonctionnement (5) s'allume rouge et que le laser clignote, cela indique que la plage d'inclinaison autorisée de 6 degrés a été dépassée. Positionnez l'appareil à l'horizontale jusqu'à ce que le voyant du mode de fonctionnement (5) s'allume vert et que le laser cesse de clignoter.
3. Après la mise à niveau automatique, tracez un repère horizontal sur le mur, n'importe où le long de la ligne horizontale, pour indiquer la hauteur du faisceau. Appelez ce point A comme illustré par la Fig. F1.
4. Tournez l'appareil à 180° et après la mise à niveau automatique, marquez le point B comme illustré par la Fig. F2.
5. Tournez l'appareil à 180°. Positionnez l'appareil aussi près que possible du mur à la hauteur du point A, comme illustré par la Fig. F3.
6. Tournez l'appareil à 180° et après la mise à niveau automatique, marquez le point C. Ce point doit se trouver directement au-dessus, au-des-

sous ou en haut du point B, comme illustré par la Fig. F4. La différence entre les points B et C représente la tolérance. Si les points B et C sont distants de plus de 0,5 mm/m, un réglage est alors nécessaire. Prenez contact avec votre revendeur agréé ou le département Assistance de Vonroc.

Nettoyage

REMARQUE! Risque d'endommagement du produit! Ne plongez jamais l'appareil dans l'eau pour le nettoyer.

N'utilisez pas de produits de nettoyage ou de solvants. Essayez l'appareil à l'aide d'un chiffon sec.

Stockage

REMARQUE! Risque d'endommagement du produit! Manipulez toujours vos instruments de prise de mesure avec soin.

- Rangez le produit dans un endroit sec et bien aéré.
- Ne rangez et ne transportez le produit que dans son emballage d'origine.
- Évitez les trop grandes fluctuations de températures: Laissez toujours le produit s'acclimater pendant un moment avant de l'utiliser dans des environnements extrêmement froids ou chauds.



REMARQUE! Risque d'endommagement du produit! Les piles usagées ou qui fuient peuvent endommager le produit. Contrôlez régulièrement la pile.

ENVIRONNEMENT

Les équipements électroniques ou électriques defectueux ou destinés à être mis au rebut doivent être déposés aux points de recyclage appropriés.

Uniquement pour les pays de l'UE

Ne jetez pas les outils électriques avec les déchets domestiques. Selon la Directive européenne 2012/19/ CE relative aux déchets d'équipements électriques et électroniques et sa mise en oeuvre dans le droit national, les outils électriques hors d'usage doivent être collectés séparément et mis au rebut de manière écologique.

GARANTIE

Les produits VONROC sont développés aux plus hauts standards de qualité et ils sont garantis contre les défauts de pièces et de main d'oeuvre pendant la durée légale stipulée à partir de la date d'achat d'origine du produit. En cas d'une quelconque panne du produit pendant cette durée qui serait due à un défaut matériel et/ou de main d'oeuvre, contactez directement VONROC.

Les circonstances suivantes ne sont pas prises en charge par la garantie:

- Des réparations ou altérations ont été effectuées ou tentées sur la machine par un centre de réparation non agréé.
- L'usure normale.
- L'outil a été maltraité, mal utilisé ou mal entretenu.
- Des pièces détachées non d'origine ont été utilisées.

Ceci constitue l'unique garantie accordée par la société explicitement ou implicitement. Il n'existe aucune autre garantie, explicite ou implicite, qui peut s'étendre au delà du contenu ici présent, y compris les garanties marchandes ou d'adaptation à des fins particulières. En aucun cas VONROC ne sera tenu responsable de dommages accidentels ou consécutifs. Les solutions proposées par les revendeurs devront se limiter à la réparation ou le remplacement des éléments ou pièces non conformes.

Le produit et le manuel d'utilisation sont sujets à modifications. Les spécifications peuvent changer sans préavis.

1. INSTRUCCIONES DE SEGURIDAD

Lea las advertencias de seguridad, las advertencias de seguridad adicionales y las instrucciones adjuntas. De no respetarse las advertencias de seguridad y las instrucciones, podrían producirse descargas eléctricas, incendios y/o lesiones graves. Conserve las advertencias de seguridad y las instrucciones para su posterior consulta.

Los siguientes símbolos se utilizan en el manual de usuario o en el producto:



Lea el manual de usuario.



Denota riesgo de lesiones personales, pérdida de vida o daños a la herramienta en caso de incumplimiento de las instrucciones del presente manual.



No use bajo la lluvia.



Para utilizar en interiores solamente.



No tire el producto en contenedores no apropiados.



El producto es conforme a las normas de seguridad aplicables según las directivas europeas.



Riesgo de daño ocular debido a los rayos láser! Nunca mire directamente el láser y no dirija el rayo láser hacia superficies reflectantes!

INSTRUCCIONES DE SEGURIDAD GENERALES

- Para utilizar este dispositivo de forma segura, el usuario debe haber leído y comprendido estas instrucciones de uso antes de la primera utilización.
- Respete todas las instrucciones de seguridad. En caso de no respetarlas, puede hacerse dano a usted mismo o a los demás.
- Guarde todas las instrucciones de uso y de seguridad para futuras consultas.
- En caso de venta o traspaso del dispositivo, también deberá proporcionar las instrucciones de funcionamiento.

- Este dispositivo solo se debe utilizar en buen estado de funcionamiento. Si el producto falla total o parcialmente, debiera ponerse fuera de funcionamiento y desecharse correctamente.
- No debe utilizar el dispositivo en habitaciones donde existan riesgos de explosión ni cerca de líquidos o gases inflamables.

INSTRUCCIONES DE SEGURIDAD ESPECÍFICAS

- El dispositivo esta diseñado para utilizarlo en un entorno seco.
- Evite la influencia de la humedad y de la suciedad, así como de los rayos solares directos.
- No utilice el dispositivo cerca de soldadores, fuentes de calor por inducción y otros campos electromagnéticos.
- No exponga el dispositivo a temperaturas elevadas durante periodos prolongados.
- No debe retirar ni tapar los símbolos que se muestran en su dispositivo. Las señales de advertencia que dejen de estar visibles deben sustituirse inmediatamente.

ADVERTENCIAS DE SEGURIDAD PARA LA BATERÍA

- No abra la batería.** Existe peligro de cortocircuito.
- Proteja la batería del calor, p. ej., de la luz solar intensa continua, los incendios, el agua y la humedad.** Peligro de explosión.
- En caso de daño y uso incorrecto de la batería, esta puede emitir vapores. Ventile el área y consulte un médico si se siente mal.** Los vapores pueden irritar el sistema respiratorio.
- Utilice la batería solo junto con su producto Vonroc.** Esta medida protege la batería de sobrecargas peligrosas.
- La batería se puede dañar con objetos puntiagudos como clavos o destornilladores o si se somete a alguna fuerza exterior.** Puede producirse un cortocircuito interno que dé lugar a que la batería se incendie, emita humo, explote o se sobrecaliente.

Manipulación de rayos láser

- No mire directamente el rayo, ni desde grandes distancias.
- No debe dirigir el rayo de medición hacia personas, otros seres vivos ni superficies reflectantes.
- Las gafas para láser convencionales no protegen de los peligros de los rayos láser. Solo sirven para reconocer mejor el rayo láser.

LL505DC láser rojo:



Advertencia - Rayo láser
 No mire nunca el rayo láser
 Laser **Clase 2**
 según la norma EN60825-1: 2014;
 λ: 620-690 nm; P_c_1mW

LL506DC láser verde:



Advertencia - Rayo láser
 No mire nunca el rayo láser
 Laser **Clase 2**
 según la norma EN60825-1: 2014;
 λ: 510-530 nm; P_c_1mW

2. INFORMACION DE LA MAQUINA

Uso previsto

El láser de líneas cruzadas de 360° sirve para determinar y comprobar las líneas horizontal y vertical en las paredes y, por ello ha sido diseñado para alinear objetos como cocinas, paredes, techos, azulejos o cuadros. El láser de líneas es apto para uso en interiores.

ESPECIFICACIONES TÉCNICAS

Modelo n.º	LL505DC	LL506DC
Dirección de los haces	Vertical / 360° horizontal	
Color de la línea láser	Rojo	Verde
Longitud de onda del láser	620~690 nm	510~530 nm
Clase de láser	II (_{mW}) según la norma EN60825-1: 2014;	
Intervalo de trabajo*	20m	40m
Precisión	± 0.5 mm/m	
Intervalo de autonivelación	± 6°	
Tiempo de nivelación	4 s	
Clase de protección	IP 20	
Dispositivo de conexión al trípode	1/4"	
Soporte de conexión al trípode	1/4" and 5/8"	
Trípode recomendado	LL801AA	
Tiempo de funcionamiento, máx.	12.5 horas	4 horas

Temperatura de funcionamiento	-10~40 °C
Temperatura de almacenamiento	-20~70 °C
Batería recargable	3.7V, 2600mAh (Iones de litio de)
Tiempo de carga de la batería	3 horas
Peso (sin soporte magnético)	380 g
Dimensiones (sin soporte magnético)	105x60x115 mm

* El intervalo de trabajo puede reducirse en condiciones ambientales desfavorables (p. ej., luz solar directa).

DESCRIPCIÓN

Los números del texto se refieren a los diagramas de las páginas 2-4.

1. Botón de encendido/apagado (On/Off)
2. Interruptor de bloqueo
3. Salida del haz del láser
4. Indicador de LED
5. Modo de funcionamiento LED
6. Soporte magnético
7. Agujero para colgar
8. Botón de ajuste (de altura)
9. Disco de montaje
10. Conexión de trípode de ¼ in
11. Conexión de trípode de 5/8"
12. Rosca macho de 1/4"
13. Imanes
14. Enchufe USB de tipo C*
15. Cable USB*
16. Enchufe USB de tipo A*
17. Conector USB de tipo C*

* USB Type-CR y USB-CR son marcas comerciales del Foro de implementadores de USB.

3. MONTAJE

Uso del soporte magnético (Fig. B)

El soporte (6) permite montar la unidad en cualquier superficie vertical de acero o hierro utilizando los imanes (13) de la parte posterior. El soporte también tiene un agujero (7) que permite colgar la unidad de un clavo o un tornillo en cualquier superficie adecuada.

Para colocar el láser de líneas cruzadas de 360° en el montaje, proceda como sigue:

1. Atornille la rosca macho del soporte (12) en la conexión del trípode (10) del dispositivo usando el disco (9).
2. Usando el ajuste de altura (8), ajuste el láser de líneas cruzadas de 360° a la altura que desee. Para desmontarlo, proceda en orden inverso.

Uso del trípode (no suministrado) (Fig. B)

1. Coloque el dispositivo con la conexión para trípode (10, 11) en la rosca del trípode o en un trípode común para cámara.
2. Alinee aproximadamente el trípode antes de encender el dispositivo.

4. MANEJO



Debe utilizarse solo el centro de la línea del láser para marcar. El ancho de la línea del láser cambia según la distancia.



Se recomienda realizar una comprobación de precisión antes del primer uso y comprobaciones periódicas durante el uso futuro, especialmente en caso de diseños precisos. También en caso de caída del láser.



Los componentes defectuosos pueden provocar lesiones! El producto solo puede ponerse en funcionamiento en ausencia de fallos. Asegúrese de sustituir las partes defectuosas antes de volver a utilizar el producto.



Advertencia! Riesgo de daños debido a los rayos láser! No debe dirigir el rayo de medición hacia personas, otros seres vivos ni superficies reflectantes.

Cargar el dispositivo (Fig. C)



Hay que cargar la máquina antes de usarla por primera vez.

- Conecte el enchufe USB type-C (14) en el conector USB type-C (17) de la máquina.
- Conecte el enchufe USB type-A (16) en un adaptador de corriente (no suministrado) o en un dispositivo (p. ej., un ordenador o un cargador portátil de baterías) que tenga un conector USB hembra adecuado. Nota: el dispositivo

debe ser capaz de suministrar una potencia constante de 5 V y 2 A.

- El indicador de LED de la batería (4) se enciende y muestra el estado de carga.

Estado del LED del cargador	
Rojo	Carga de la batería en curso
Verde	Carga terminada, batería totalmente cargada

4. Cuando la batería esté totalmente cargada, saque el enchufe USB de tipo C (10) de la toma USB de tipo C (13).



Si la batería está descargada, también se puede alimentar el dispositivo con el cargador o con un cargador portátil de baterías. Siga los pasos anteriores.



Cuando la no vaya a utilizarse la maquina durante un periodo de tiempo prolongado, es conveniente guardar la batería cargada.

Comprobaciones del dispositivo:

- Asegurese de que todas las partes encajen en el dispositivo con firmeza.
- Compruebe la existencia de defectos visibles: partes rotas, grietas, etc.
- Compruebe la precisión la primera vez que lo use o si no ha comprobado la precisión del láser recientemente.
- Compruebe la precisión también en caso de caída del láser.

Modo de autonivelación (Fig. A, D)

Los láseres son alineados automáticamente por el péndulo, para que las líneas verticales y horizontales se muestren niveladas en la pared.

1. Coloque el láser sobre una superficie plana, en el soporte magnético (6) o en el trípode (no suministrado) y fíjelo como se describe arriba.
2. Deslice el interruptor de bloqueo (2) hacia la derecha.
3. Las líneas del láser pueden encenderse una a una o todas al mismo tiempo.
 - Pulse el botón de encendido/apagado (1) del dispositivo para encender la línea horizontal y la línea vertical delantera.

- Pulse dos veces el botón de encendido/apagado (2) para el láser frontal vertical.
- Pulse tres veces el botón de encendido/apagado (2) para el láser horizontal.

4. Si el botón de modo de funcionamiento (5) se ilumina en rojo y el láser parpadea, se ha superado el intervalo de inclinación permitido de 6 grados. Coloque el dispositivo en posición horizontal hasta que el LED de modo de funcionamiento (5) se ilumine en verde y el láser deje de parpadear.
5. Para apagar el dispositivo, deslice el interruptor de bloqueo (2) hacia la izquierda y mantenga apretado el botón de encendido/apagado (1). El láser se apaga y el péndulo se bloquea.



Deslice el interruptor de bloqueo (2) hacia la izquierda durante el transporte. Esto bloquea la unidad de péndulo, de lo contrario este puede dañarse.

Modo manual (Fig. A, D2)

El láser puede alinearse manualmente en el ángulo que se desee, por ejemplo, para que muestre una línea diagonal.

1. Coloque el láser sobre una superficie plana, en el soporte magnético (6) o en el trípode (no suministrado) y fíjelo como se describe arriba.
2. Compruebe si el interruptor de bloqueo (2) está colocado a la izquierda. Si no lo está, deslice el interruptor de bloqueo (2) a la izquierda.
3. Las líneas del láser pueden encenderse una a una o todas al mismo tiempo.
 - Pulse el botón de encendido/apagado (1) del dispositivo para encender la línea horizontal y la línea vertical delantera.
 - Pulse dos veces el botón de encendido/apagado (2) para el láser frontal vertical.
 - Pulse tres veces el botón de encendido/apagado (2) para el láser horizontal.

El LED de modo de funcionamiento (5) se enciende en rojo cuando el péndulo está bloqueado.

4. Ahora puede inclinar el láser hacia el ángulo que desee, para que las líneas se muestren en diagonal en la pared, suelo o techo.
5. Mantenga pulsado el botón de encendido/apagado (1) para apagar el equipo. Compruebe si el interruptor de bloqueo (2) está colocado a la izquierda. Si no lo está, deslice el interruptor de bloqueo (2) a la izquierda.

5. MANTENIMIENTO

Comprobación de la precisión

Debe utilizarse solo el centro de la línea del láser para marcar. El ancho de la línea del láser cambia según la distancia.

Comprobación rápida de la línea horizontal

(Fig. A, E1)

1. Coloque el dispositivo a aproximadamente 5 metros de la pared.
2. Deslice el interruptor de bloqueo (2) hacia la derecha. Pulse tres veces el botón de encendido/apagado (2) para el láser horizontal. Si el botón de modo de funcionamiento (5) se ilumina en rojo y el láser parpadea, se ha superado el intervalo de inclinación permitido de 6 grados. Coloque el dispositivo en posición horizontal hasta que el LED de modo de funcionamiento (5) se ilumine en verde y el láser deje de parpadear.
3. Después de que se autonivele, haga una marca horizontal en la pared como se muestra en la figura E1. Márquelo como punto A.
4. Gire el láser 2,5 m a la derecha.
5. Enciende el láser, y después de que se autonivele, haga una marca horizontal en la pared. Márquelo como punto B, como se muestra en la figura E1. Cuando los puntos A y B están a más de 2,5 mm de distancia desde una perspectiva vertical, es necesario comprobar la calibración.

Comprobación rápida de la línea vertical (Fig. A, E2)

1. Coloque el dispositivo a aproximadamente 5 metros de la pared.
2. Cuelgue una cuerda de 2,5 metros en la pared con un peso en el extremo de la cuerda, como se muestra en la figura E2. La cuerda debe poder oscilar libremente.
3. Deslice el interruptor de bloqueo (2) hacia la derecha. Pulse dos veces el botón de encendido/apagado (2) para el láser frontal vertical. Coloque la línea vertical junto al cable. Si el botón de modo de funcionamiento (5) se ilumina en rojo y el láser parpadea, se ha superado el intervalo de inclinación permitido de 6 grados. Coloque el dispositivo en posición horizontal hasta que el LED de modo de funcionamiento (5) se ilumine en verde y el láser deje de parpadear. Después de que se autonivele, la diferencia no debe exceder de $\pm 2,5$ mm. Cuando está

a más de 2,5 mm de distancia, es necesaria una comprobación de calibración.

Comprobación de la calibración (Fig. A, F)

La precisión del haz horizontal puede comprobarse como sigue:

1. Coloque el dispositivo en un trípode, centrado en una habitación con paredes idealmente a 5 metros de distancia.
2. Deslice el interruptor de bloqueo (2) hacia la derecha. Pulse tres veces el botón de encendido/apagado (2) para el láser horizontal. Si el botón de modo de funcionamiento (5) se ilumina en rojo y el láser parpadea, se ha superado el intervalo de inclinación permitido de 6 grados. Coloque el dispositivo en posición horizontal hasta que el LED de modo de funcionamiento (5) se ilumine en verde y el láser deje de parpadear.
3. Después de que se autonivele, haga una marca horizontal en la pared en cualquier punto a lo largo de la línea horizontal, para indicar la altura del haz. Márquelo como punto A, como se muestra en la figura F1.
4. Gire el dispositivo a 180°, y después de que se autonivele, marque el punto B como se muestra en la Fig. F2.
5. Gire el dispositivo a 180°. Coloque el dispositivo lo más cerca posible de la pared a la altura del punto A, como se muestra en la Fig. F3.
6. Gire el dispositivo a 180°, y después de que se autonivele, marque el punto C. Esta marca debe estar directamente arriba, debajo o sobre el punto B como se muestra en la Fig. F4. La diferencia entre los puntos B y C es la tolerancia.

Cuando B y C están a más de 0,5 mm/m de distancia, es necesario realizar un ajuste. Póngase en contacto con su distribuidor autorizado o con el Departamento de Servicios de Vonroc.

Limpieza



AVISO! Peligro de daño al producto! No debe sumergir el dispositivo en agua durante la limpieza.

No utilice agentes de limpieza ni disolventes. Frote el dispositivo con un pano seco.

Almacenamiento**AVISO! Peligro de dano al producto!**

Manipule siempre los instrumentos de medición con cuidado.

- Guarde el producto en un lugar seco y bien ventilado.
- Guarde y transporte el producto unicamente en su envase original.
- Evite las grandes fluctuaciones de temperatura: Temple el producto durante un tiempo antes de utilizarlo en entornos de frio o calor extremo.



AVISO ¡Peligro de daños al producto! *Las pilas antiguas y con fugas pueden dañar el producto. Compruebe periódicamente la batería.*

MEDIOAMBIENTE

Los aparatos electricos o electronicos defectuosos y/o desechados deben recogerse en lugares de reciclado apropiado.

Solo para paises de la Comunidad Europea

No elimine las herramientas electricas como residuos domesticos. De acuerdo con la Directiva europea 2012/19/CE sobre residuos de aparatos electricos y electronicos, y su transposicion a las legislaciones nacionales, las herramientas electricas que ya no se utilizan deben recogerse por separado y eliminarse en modo ecologico.

CONDICIONES DE GARANTIA

Los productos VONROC han sido desarrollados con los mas altos estandares de calidad y VONROC garantiza que estan exentos de defectos relacionados con los materiales y la fabricacion durante el periodo legalmente estipulado, a contar desde la fecha de compra original. En caso de que el producto presente defectos relacionados con los materiales y/o la fabricacion durante este periodo, pongase directamente en contacto VONROC.

La presente garantia se excluye en los siguientes casos:

- Si centros de servicios no autorizados han realizado o han intentado realizar reparaciones y/o alteraciones a la maquina.

- Si se ha producido un desgaste normal.
- Si la herramienta ha sido mal tratada o usada en modo impropio, o se ha realizado incorrectamente su mantenimiento.
- Si se han utilizado piezas de repuesto no originales.

La presente constituye la unica garantia implicita y explicita que ofrece la compania. No existen otras garantias explicitas o implicitas que excedan las citadas aqui, incluidas las garantias implicitas de comerciabilidad e idoneidad para una finalidad en especial. VONROC no sera considerada responsable en ningun caso por danos incidentales o consecuentes.

Los recursos a disposicion de los distribuidores se limitan a la reparacion o a la sustitucion de las unidades o piezas no conformes.

El producto y el manual de usuario estan sujetos a variaciones. Las especificaciones pueden variarse sin previo aviso.

1. ISTRUZIONI DI SICUREZZA

Leggere accuratamente gli avvisi di sicurezza, gli avvisi di sicurezza aggiuntivi e le istruzioni. La mancata osservanza degli avvisi di sicurezza e delle istruzioni potrebbe causare scosse elettriche, incendio e/o gravi lesioni. Mantenere gli avvisi di sicurezza e le istruzioni a portata di mano per future consultazioni.

I seguenti simboli sono utilizzati nel presente manuale utente o sul prodotto:



Leggere il manuale per l'utente.



Denota il rischio di lesioni personali, morte o danni all'utensile in caso di mancata osservanza delle istruzioni contenute nel presente manuale.



Non esporre alla pioggia.



Solo per uso interno.



Non smaltire il prodotto in contenitori non idonei.



Il prodotto è conforme alle norme di sicurezza applicabili ai sensi delle direttive europee vigenti.



Rischio di lesioni agli occhi provocate da raggi laser! Non fissare mai direttamente il raggio laser e non dirigere il raggio laser verso superfici riflettenti!

ISTRUZIONI DI SICUREZZA GENERALI

- Prima di utilizzare questo dispositivo la prima volta l'utilizzatore deve avere letto e compreso queste istruzioni per l'uso, affinché sia garantita la sicurezza.
- Seguire tutte le istruzioni di sicurezza! La mancata osservanza delle suddette istruzioni può provocare danni a se stessi e agli altri.
- Conservare tutte le istruzioni per l'uso e le istruzioni di sicurezza per successive consultazioni.
- In caso di vendita o cessione del dispositivo consegnare anche questo manuale operativo al nuovo proprietario.

- Utilizzare il dispositivo solo se funziona correttamente. Se il prodotto o parti dello stesso dovessero essere difettosi interromperne l'utilizzo e smaltirli correttamente.

ISTRUZIONI DI SICUREZZA SPECIFICHE

- Questo dispositivo è destinato all'uso in un ambiente asciutto.
- Evitare l'esposizione ad umidità e sporcizia e all'irraggiamento solare diretto.
- Non azionare il dispositivo in prossimità di saldatrici, riscaldatori a induzione e altri campi elettromagnetici.
- Non esporre il dispositivo a temperature elevate per un lungo periodo.
- Non rimuovere né coprire i simboli che compaiono sul dispositivo. Sostituire immediatamente l'eventuale segnaletica non più leggibile sul dispositivo.

AVVERTENZE DI SICUREZZA PER LA BATTERIA

- Non aprire la batteria.** Pericolo di cortocircuito.
- Proteggere la batteria dal calore, ad esempio dalla luce solare intensa, dal fuoco, dall'acqua e dall'umidità.** Pericolo di esplosione.
- In caso di danni e uso improprio della batteria, potrebbero essere emessi dei vapori. Ventilare l'area e rivolgersi a un medico in caso di malessere.** I vapori possono irritare il Sistema respiratorio.
- Utilizzare la batteria solo in combinazione con il prodotto Vonroc.** Questo accorgimento protegge la batteria da un sovraccarico pericoloso.
- La batteria può essere danneggiata da oggetti appuntiti come chiodi o cacciaviti o da una forza applicata esternamente.** Si può verificare un cortocircuito interno e la batteria potrebbe bruciare, fumare, esplodere o surriscaldarsi.

Comportamenti da assumere con i raggi laser

- Non fissare direttamente il raggio laser, neppure se ci si trova a una certa distanza.
- Non dirigere mai il raggio laser per la misurazione verso persone, altre creature viventi o superfici riflettenti.
- Gli occhiali per raggio laser convenzionali non sono efficaci per proteggere gli occhi dai pericoli dei raggi laser. Essi servono per un migliore riconoscimento del raggio laser.

LL505DC laser rosso:



Avvertenza - Raggio laser
 Non guardare mai il fascio di luce Laser Classe 2 in conformità alla norma EN60825-1: 2014; λ: 620-690 nm; P<_ 1mW

LL506DC laser verde:



Avvertenza - Raggio laser
 Non guardare mai il fascio di luce Laser Classe 2 in conformità alla norma EN60825-1: 2014; λ: 510-530 nm; P<_ 1mW

2. INFORMAZIONI RELATIVE ALL'ELETTROUTENSILE

Uso previsto

Il laser a linee incrociate 360° è destinato alla rilevazione e verifica di linee orizzontali e verticali sulla parete ed è quindi sviluppato per allineare oggetti come cucine, pareti, soffitti, piastrelle o quadri. Il laser a linee è indicato per l'utilizzo in locali interni.

DATI TECNICI

Numero modello	LL505DC	LL506DC
Direzione dei raggi	Verticale / orizzontale 360°	
Colore della linea del laser	Rosso	Verde
Lunghezza d'onda del laser	620~690 nm	510~530 nm
Classe laser	II (<mW) secondo EN60825-1: 2014;	
Ambito di lavoro*	20m	40m
Precisione	± 0.5 mm/m	
Ambito di autolivellamento	± 6°	
Durata di livellamento	4 s	
Classe di protezione	IP 20	
Dispositivo di connessione treppiede	1/4"	
Supporto di connessione treppiede	1/4" and 5/8"	
Treppiede raccomandato	LL801AA	
Durata di esercizio, max.	12.5 ore	4 ore
Temperatura di funzionamento	-10~40 °C	

Temperatura de almacenamiento	-20~70 °C
Temperatura di stoccaggio	Agli ioni di litio da 3.7V, 2600mAh
Tempo di carica batteria	3 ore
Peso (senza supporto magnetico)	380 g
Dimensioni (senza supporto magnetico)	105x60x115 mm

* L'ambito di lavoro potrebbe essere ridotto da condizioni ambientali sfavorevoli (per esempio l'irraggiamento diretto del sole).

DESCRIZIONE

I numeri che compaiono nel testo si riferiscono agli schemi riportati alle pagine 2-4.

1. Pulsante di accensione/spengimento
2. Interruttore di bloccaggio
3. Uscita raggio laser
4. Indicatore LED
5. Modalità di esercizio LED
6. Supporto magnetico
7. Foro pensile
8. Pomello di impostazione (di altezza)
9. Ruota di montaggio
10. Connessione treppiede a un quarto di pollice
11. Connessione treppiede 5/8"
12. Filetto maschio 1/4"
13. Magneti
14. Spina USB type-C*
15. Cavo USB*
16. Spina USB type-A*
17. Presa USB type-C*

* USB type-CR e USB-CR sono marchi commerciali dell'USB Implementers Forum.

3. MONTAGGIO

Utilizzo del supporto magnetico (Fig. B)

Questo supporto (6) consente all'unità il montaggio su qualsiasi superficie dritta in acciaio o ferro utilizzando i magneti (13) sul retro. Il supporto possiede altresì un foro pensile (7) che consente all'unità di essere appesa da un chiodo o una vite su qualsiasi superficie idonea.

Per applicare il laser a linee incrociate 360 sul montaggio, procedere in modo seguente:

1. Avvitare il filetto maschio (12) del supporto nella connessione del treppiede (10) sul dispositivo con l'ausilio della ruota (9).
2. Utilizzare un regolatore di altezza (8) per impostare il laser a linee incrociate sull'altezza desiderata. Per lo smantellamento, procedere in inverso.

Utilizzo del treppiede (non in dotazione) (Fig. B)

1. Posizionare il dispositivo con la connessione treppiede (10, 11) sul filetto del treppiede o di un treppiede per fotocamera tradizionale.
2. Allineare in modo approssimativo il treppiede prima di mettere in funzione il dispositivo.

4. UTILIZZO



Solo il centro del laser deve essere usato per la demarcazione. La larghezza della linea del laser cambia a seconda del dispositivo.



Si raccomanda di eseguire una verifica di precisione prima del primo utilizzo e delle verifiche periodiche durante l'utilizzo futuro, in particolare per le configurazioni di precisione. Ciò vale anche quando il laser potrebbe essere stato abbassato.



Pericolo di lesioni personali causate da componenti difettosi! Il prodotto deve essere utilizzato solo se non vengono rilevati difetti. Assicurarsi che tutte le parti difettose siano sostituite prima di riutilizzare il dispositivo.



ATTENZIONE! Rischio di lesioni personali provocate da raggi laser! Non dirigere mai il raggio laser verso persone, altre creature viventi o superfici riflettenti.

Caricamento dell'apparecchio (Fig. C)



Prima del primo utilizzo l'apparecchio deve essere caricato.

1. Inserire la spina USB type-C (14) nella presa USB type-C (17) dell'apparecchio.
2. Inserire la spina USB type-A (16) in un adattatore di corrente (non in dotazione) o in un dispositivo (computer, power bank, ecc.) dotato di una

presa USB femmina adatta. Si tenga presente che tale dispositivo dovrà essere in grado di fornire un'alimentazione costante di 5V 2A.

3. L'indicatore a LED batteria (4) si illuminerà e mostrerà lo stato di carica della batteria.

Stato caricabatterie a LED	
Rosso	In carica
Verde	Carica terminata, batteria completamente carica

4. Una volta che la batteria è completamente carica, rimuovere la spina USB-C (14) del caricabatterie dal connettore USB-C (17).



È anche possibile in caso di batteria scarica di alimentare il dispositivo con il caricabatterie portatile. Seguire i passi di cui sopra.



Una volta caricata la batteria, rimuovere la spina del caricabatterie dalla presa di corrente e rimuovere la batteria dal caricabatterie.

Controllo del dispositivo

- Assicurarsi che tutte le parti siano saldamente fissate sul dispositivo.
- Controllare l'eventuale presenza di difetti visibili: parti rotte, crepe, ecc.
- Verificare la precisione durante il primo utilizzo del laser o quando non è stata verificata la precisione del laser per un certo periodo.
- Verificare la precisione anche quando il laser potrebbe essere stato abbassato.

Modalità di autolivellamento (Fig. A, D)

I laser sono allineati automaticamente mediante il pendolo, cosicché le linee verticali e orizzontali sono visualizzate a livello con la parete.

1. Posizionare il laser su una superficie piana o inserirlo in un supporto magnetico (6) o un treppiede (non in dotazione) e fissarlo come descrizione di cui sopra.
2. Far scivolare l'interruttore di bloccaggio (2) verso destra.
3. Le linee laser possono essere alimentate sia una alla volta, sia tutte insieme allo stesso tempo.

- Premere il pulsante di accensione/spengimento (1) del dispositivo per accendere la linea orizzontale e la linea verticale anteriore.
 - Premendo due volte il pulsante di accensione/spengimento (2) per il laser verticale anteriore.
 - Premendo tre volte il pulsante di accensione/spengimento (2) per il laser orizzontale.
4. Se il pulsante della modalità di esercizio (5) è diventato rosso e il laser lampeggia, è stato superato l'ambito di inclinazione ammesso pari a 6 gradi. Posizionare il dispositivo orizzontalmente fino a quando il LED della modalità di esercizio (5) si accende in verde e il laser smette di lampeggiare.
 5. Per lo spegnimento, far scivolare l'interruttore di bloccaggio (2) verso sinistra e tenere premuto il pulsante di accensione/spengimento (1). Il laser viene spento e il pendolo viene bloccato.



Far scivolare l'interruttore di bloccaggio (2) verso sinistra durante il trasporto. Questa operazione blocca l'unità del pendolo, poiché altrimenti può essere danneggiata.

Modalità manuale (Fig. A)

Il laser può essere allineato manualmente sull'angolo desiderato per attivare per esempio la rappresentazione di una linea diagonale.

1. Posizionare il laser su una superficie piana o inserirlo in un supporto magnetico (6) o un treppiede (non in dotazione) e fissarlo come descrizione di cui sopra.
2. Verificare se l'interruttore di bloccaggio (2) è settato sulla sinistra. In caso contrario, far scivolare l'interruttore di bloccaggio (2) verso sinistra.
3. Le linee laser possono essere alimentate sia una alla volta, sia tutte insieme allo stesso tempo.
 - Premere il pulsante di accensione/spengimento (1) del dispositivo per accendere la linea orizzontale e la linea verticale anteriore.
 - Premendo due volte il pulsante di accensione/spengimento (2) per il laser verticale anteriore.
 - Premendo tre volte il pulsante di accensione/spengimento (2) per il laser orizzontale.
 La modalità di esercizio LED (5) diventa rossa, poiché il pendolo è bloccato.

4. Ora è possibile inclinare il laser sull'angolo necessario, affinché le linee siano visualizzate diagonalmente su parete, pavimento o soffitto.
5. Tenere premuto il tasto di accensione/spengimento (1) per spegnere l'apparecchiatura. Verificare se l'interruttore di bloccaggio (2) è settato sulla sinistra. In caso contrario, far scivolare l'interruttore di bloccaggio (2) verso sinistra.

5. MANUTENZIONE

Verifica di precisione

Solo il centro del laser deve essere usato per la demarcazione. La larghezza della linea del laser cambia a seconda del dispositivo.

Verifica veloce della linea orizzontale (Fig. A, E1)

1. Settare il dispositivo a circa 5 metri dalla parete.
2. Far scivolare l'interruttore di bloccaggio (2) verso destra. Premendo tre volte il pulsante di accensione/spengimento (2) per il laser orizzontale. Se il pulsante della modalità di esercizio (5) è diventato rosso e il laser lampeggia, è stato superato l'ambito di inclinazione ammesso pari a 6 gradi. Posizionare il dispositivo orizzontalmente fino a quando il LED della modalità di esercizio (5) si accende in verde e il laser smette di lampeggiare.
3. Dopo il suo autolivellamento eseguire una demarcazione orizzontale sulla parete come da illustrazione nella figura E1. Contrassegnare questo punto come punto A.
4. Girare il laser 2,5 m verso destra.
5. Mettere in funzione il laser e dopo il suo autolivellamento eseguire una demarcazione orizzontale sulla parete. Contrassegnare questo punto come punto B come da illustrazione nella figura E1. Quando i punti A e B sono distanti più di 2,5 mm dalla prospettiva verticale, è necessario eseguire una verifica di calibrazione.

Verifica veloce della linea verticale (Fig. A, E2)

1. Settare il dispositivo a circa 5 metri dalla parete.
2. Agganciare una fune con lunghezza di 2,5 metri sulla parete con un peso all'estremità della fune come da illustrazione nella figura E2. La fune deve poter oscillare liberamente.
3. Far scivolare l'interruttore di bloccaggio (2) verso destra. Premendo due volte il pulsante di accensione/spengimento (2) per il laser

verticale anteriore. Posizionare la linea verticale accanto al filo. Se il pulsante della modalità di esercizio (5) è diventato rosso e il laser lampeggia, è stato superato l'ambito di inclinazione ammesso pari a 6 gradi. Posizionare il dispositivo orizzontalmente fino a quando il LED della modalità di esercizio (5) si accende in verde e il laser smette di lampeggiare. Dopo l'autolivellamento la differenza non deve essere superiore a $\pm 2,5$ mm. Quando è maggiore di 2,5 mm, è necessario eseguire una verifica di calibrazione.

Verifica di calibrazione (Fig. A, F)

La precisione del raggio orizzontale può essere verificato in base ai seguenti passi:

1. Settare il dispositivo su un treppiede con centraggio in un locale con pareti distanti idealmente 5 metri una dall'altra.
2. Far scivolare l'interruttore di bloccaggio (2) verso destra. Premendo tre volte il pulsante di accensione/spengimento (2) per il laser orizzontale. Se il pulsante della modalità di esercizio (5) è diventato rosso e il laser lampeggia, è stato superato l'ambito di inclinazione ammesso pari a 6 gradi. Posizionare il dispositivo orizzontalmente fino a quando il LED della modalità di esercizio (5) si accende in verde e il laser smette di lampeggiare.
3. Dopo il suo autolivellamento, eseguire una demarcazione orizzontale sulla parete su un qualsiasi punto lungo la linea orizzontale per indicare l'altezza del raggio. Contrassegnare questo punto come punto A come da illustrazione nella figura F1.
4. Ruotare il dispositivo di 180° e dopo il suo autolivellamento, contrassegnare il punto B come da illustrazione nella figura F2.
5. Ruotare il dispositivo di 180°. Posizionare il dispositivo il più vicino possibile alla parete sull'altezza del punto A come da illustrazione nella fig. F3.
6. Girare il dispositivo di 180° e dopo il suo autolivellamento, contrassegnare il punto C. Questa demarcazione dovrebbe essere direttamente sopra, sotto o sulla sommità del punto B come da illustrazione nella fig. F4. La differenza tra i punti B e C è la tolleranza. Quando B e C sono distanti per più di 0,5 mm/ m, è necessario eseguire una regolazione. Contattare il proprio rivenditore autorizzato o altrimenti il servizio assistenza Vonroc.

Pulizia



AVVISO! Rischio di danneggiamento del prodotto! Durante la pulizia non immergere mai il dispositivo nell'acqua.

Non utilizzare detersivi o solventi chimici. Strofinare il dispositivo con un panno asciutto.

Conservazione



AVVISO! Rischio di danneggiamento del prodotto! Maneggiare sempre gli strumenti di misurazione con cautela.

- Conservare il prodotto in un ambiente asciutto e ben arieggiato.
- Conservare e trasportare il prodotto solo nella confezione originale.
- Evitare forti sbalzi di temperatura: prima di utilizzare il prodotto in ambienti caratterizzati da temperature estreme attendere sempre qualche istante affinché si adatti alla temperatura ambientale.



AVVISO! Rischio di danneggiamento del prodotto! Batterie vecchie che perdono liquido possono danneggiare il prodotto. Verificare regolarmente le condizioni delle batterie.

RISPETTO AMBIENTALE



Le apparecchiature elettriche o elettroniche difettose e/o scartate devono essere raccolte presso gli opportuni siti di riciclaggio.

Solo per i Paesi CE

Non smaltire gli elettrodomestici insieme ai rifiuti domestici. Secondo la Direttiva europea 2012/19/EC sui rifiuti delle apparecchiature elettriche ed elettroniche e relativa implementazione nelle normative locali, gli elettrodomestici ormai inutilizzabili devono essere raccolti separatamente e smaltiti in modo ecologico.

DEFINIZIONI DELLA GARANZIA

I prodotti VONROC sono sviluppati secondo i più elevati standard di qualità e viene garantita l'assenza di difetti nei materiali e nella manodopera per il periodo contrattuale a partire dalla data di acquisto

originale. Qualora il prodotto dovesse subire un guasto qualsiasi durante questo periodo a causa di difetti nei materiali e/o nella manodopera, si prega di contattare direttamente il VONROC.

Le seguenti circostanze sono escluse da questa garanzia:

- Riparazioni e/o modifiche alla macchina sono state eseguite o tentate da centri di assistenza non autorizzati.
- Normale usura.
- L'utensile è stato abusato, utilizzato o manutenu- to in modo improprio.
- Sono state utilizzate parti di ricambio non origi- nali

Cio costituisce l'unica garanzia espressa o implicita fornita dall'azienda. Non esistono altre garanzie espresse o implicite che si estendono oltre il presente documento, ivi comprese le garanzie im- plicite di commerciabilità e idoneità per uno scopo particolare. In nessun caso VONROC sarà responsa- bile di eventuali danni incidentali o consequenziali. I rimedi dei rivenditori saranno limitati alla ripara- zione o sostituzione di unità o parti non conformi.

Il prodotto e il manuale per l'utente sono soggetti a modifiche. I dati tecnici possono essere modificati senza ulteriore notifica.

1. SÄKERHETSFÖRESKRIFTER

Läs de medföljande säkerhetsvarningarna, de tillkommande säkerhetsvarningarna och anvisning- arna. Om inte säkerhetsvarningarna och anvisning- arna följs kan detta orsaka elstötar, brand och/eller allvarliga kroppsskador. Behåll säkerhetsvarningarna och anvisningarna för framtida bruk.

Följande symboler används i bruksanvisningen eller på produkten:



Läs igenom bruksanvisningen.



Anger risk för personskada, dödsfall eller skada på verktyget om anvisningarna i denna handbok inte följs.



Använd inte i regn.



Använd endast inomhus.



Släng inte produkten i olämpliga behållare.



Produkten är i överensstämmelse med tillämpliga säkerhetsstandarder i EU-direk- tiven.



Risk för ögonskada på grund av laserstrålar! Titta aldrig direkt in i lasern och rikta inte laserstrå- len mot reflekterande ytor!

ALLMÄNNA SÄKERHETSVARNINGAR

- För att använda den här enheten på ett säkert sätt måste användaren ha läst och förstått dessa anvisningar innan den används för första gången.
- Följ alla säkerhetsanvisningar! Underlåtenhet att göra det kan skada dig och andra.
- Behåll alla bruksanvisningar och säkerhetsan- visningar för framtida referens.
- Om du säljer eller lämnar enheten vidare, måste du också överlämna dessa bruksanvisningar.
- Enheten får endast användas när den funge- rar korrekt. Om produkten eller någon del av produkten är defekt måste den tas ur drift och bortskaffas på rätt sätt.
- Använd aldrig enheten i ett utrymme där det finns explosionsrisk eller nära brandfarliga vätskor eller gaser.

- Håll barn borta från enheten! Håll enheten borta från barn och andra obehöriga.

SÄRSKILDA SÄKERHETSVARNINGAR

- Enheten är avsedd att användas i torr miljö.
- Undvik påverkan av fukt och smuts samt direkt solljus.
- Använd inte enheten i närheten av svetsmaskiner, induktionsvärmare och andra elektromagnetiska fält.
- Utsätt inte enheten för höga temperaturer under en längre tid.
- Symboler som visas på din enhet får inte tas bort eller täckas över. Skyltar på enheten som inte längre är läsbara måste bytas ut omedelbart.

SÄKERHETSVARNINGAR FÖR BATTERI

- Öppna inte batteriet.** Risk för kortslutning.
- Skydda batteriet mot hetta, t.ex. mot kontinuerlig intensiv solstrålning, brand, vatten och fukt.** Risk för explosion.
- Vid skada och felaktig användning av batteriet kan ångor läcka ut. Ventilera området och sök medicinsk hjälp vid besvär.** Ångorna kan irritera andningssystemet.
- Använd endast batteriet i kombination med din Vonroc industriprodukt.** Denna åtgärd ensamt skyddar batteriet mot farlig överbelastning.
- Batteriet kan skadas av vassa föremål såsom spikar eller skruvmejslar eller externa krafter.** En intern kortslutning kan uppstå och batteriet kan brinna, avge rök, explodera eller överhettas.

Hantering av laserstrålar

- Titta inte direkt in i strålen, inte ens från stora avstånd.
- Rikta aldrig mätstrålen mot människor, andra levande varelser eller reflekterande ytor.
- Konventionella laserglasögon skyddar inte mot farorna med laserstrålar. De tjänar endast för förbättrad igenkänning av laserstrålen.

LL505DC röd laser:



Varning - laserstråle

Titta aldrig in i ljusstrålen
Laser klass 2
enligt EN60825-1: 2014;
λ: 620-690 nm; P<_ 1mW

LL506DC grön laser:



Varning - laserstråle

Titta aldrig in i ljusstrålen
Laser klass 2
enligt EN60825-1: 2014;
λ: 510-530 nm; P<_ 1mW

2. MASKININFORMATION

Avsedd användning

360°-graders korslaser är avsedd för att bestämma och kontrollera horisontella och vertikala linjer på väggen och är därför utformad för att rikta in objekt som kök, väggar, takplattor, kakel eller bilder. Linjelasern är lämplig för inomhusbruk.

TEKNISKA SPECIFIKATIONER

Modellnr.	LL505DC	LL506DC
Strålarnas riktning	Vertikal/360° horisontell	
Färg på laserlinjen	Röd	Grön
Laservåglängd	620~690 nm	510~530 nm
Laserklass	II (<mW) enligt To EN60825-1: 2014;	
Arbetsområde*	20m	40m
Korrekthet	± 0.5 mm/m	
Självujämmande intervall	± 6°	
Ujämningstid	5 s	
Skydd	IP 20	
Stativanslutningsenhet	1/4"	
Stativanslutningsfäste	1/4" and 5/8"	
Rekommenderat stativ	LL801AA	
Drifttid, max.	12.5 timmar	4 timmar
Driftstemperatur	-10~40 °C	
Uppladdningsbart batteripaket	3.7V, 2600mAh (litiumjon)	
Batteriuppladdningstid	3 timme	
Vikt (utan magnetfäste)	380 g	
Mått (utan magnetfäste)	105x60x115 mm	

* Arbetsområdet kan minskas av ogynnsamma miljöförhållanden (t.ex. direkt solljus).

BESKRIVNING

Siffrorna i texten hänvisar till diagrammen på sidorna 2-4.

1. Strömbrytare
2. Låsknapp
3. Laserstråleutlopp
4. LED-indikator
5. Driftläge LED
6. Magnetfäste
7. Upphängningshåll
8. Justeringsknapp (för höjd)
9. Monteringshjul
10. ¼ tum stativanslutning
11. 5/8" stativanslutning
12. 1/4" hane
13. Magneter
14. USB-typ C-kontakt*
15. USB-kabel*
16. USB typ A-kontakt *
17. USB-typ C-kontakt*

* USB Type-C och USB-C är varumärken som tillhör USB Implementers Forum.

3. MONTERING

Användning av magnetfäste (fig. B)

Detta fäste (6) gör att enheten kan monteras på valfri upprätt yta av stål eller järn med hjälp av magneterna (13) på baksidan. Fästet har också ett upphängningshåll (7) som gör att enheten kan hängas från en spik eller skruv på någon lämplig yta.

För att anpassa 360° korslasertill monteringen, gör följande:

1. Skruva fast hållaren (12) i stativanslutningen (10) på enheten med hjälp av hjulet (9).
2. Använd höjdjusteraren (8) för att justera 360 korslasertill önskad höjd. Demontering utförs i omvänd ordning.

Använda stativet (ingår ej) (fig. B)

1. Placera enheten med stativanslutningen (10, 11) på stativets gänga eller ett konventionellt kamerastativ.
2. Rikta in stativet ungefärligt innan du slår på enheten.

4. ANVÄNDNING



Endast mitten av laserlinjen får användas för markering. Bredden på laserlinjen ändras beroende på avståndet.



Vi rekommenderar att du utför en noggrannhetskontroll före första användning och regelbundna kontroller vid framtida användning, särskilt för exakta layouter. Även när lasern kan ha tappats.



Risk för skador på grund av defekta komponenter! Produkten får endast tas i bruk om inga fel upptäcks. Se till att defekta delar byts ut innan produkten används igen.



VARNING! Risk för skada på grund av laserstrålar! Rikta aldrig laserstrålen mot människor, andra levande varelser eller reflekterande ytor.

Ladda enheten (fig. C)



Maskinen måste laddas innan den används för första gången.

1. Anslut USB-typ C-kontakten (14) till USB-typ C-kontakten (17) på maskinen.
2. Anslut USB-typ A-kontakten (16) till en nätdapter (ingår ej) eller till en enhet (t.ex. dator, powerbank) med lämplig hon-USB-kontakt. Observera att enheten ska kunna leverera constant 5V 2A effekt.
3. Laddarens batteri-LED-indikator (4) kommer att lysa och visa laddningsstatusen.

LED laddningsstatus	
Röd	Batteriladdning pågår
Grön	Batteriladdning slutförd, batteri fulladdat

4. När batteriet är fulladdat tar du bort USB-typ-C-kontakten (14) från USB-typ-C-uttaget (17).



Det är också möjligt att driva enheten med laddaren eller med en powerbank om batteriet är tomt. Följ stegen enligt ovan.



När maskinen inte används under längre tid är det bäst att lagra batteriet i laddat tillstånd.

Kontrollera enheten:

- Se till att alla delar sitter ordentligt på maskinen.
- Kontrollera om det finns synliga defekter: trasiga delar, sprickor etc.
- Kontrollera noggrannheten när det är första gången du använder lasern eller när lasern inte har kontrollerats för noggrannhet på ett tag.
- Kontrollera noggrannheten även när lasern kan ha tappats.

Självjämnande läge (fig. A, D)

Lasrarna justeras automatiskt av pendeln så att de vertikala och horisontella linjerna visas jämnt på väggen.

1. Placera lasern på en plan yta eller montera den på universalklämman (6) eller stativet (ingår ej) och fäst den enligt beskrivningen ovan.
2. Skjut låsknappen (2) åt höger.
3. Laserlinjerna kan slås på en i taget eller alla samtidigt.
 - Tryck på strömbrytaren (1) på enheten för att slå på den horisontella linjen och den främre vertikala linjen.
 - Tryck två gånger på strömbrytaren (2) för den vertikala frontlasern.
 - Tryck tre gånger på strömbrytaren (2) för den horisontella lasern.
4. Om driftlägeslampan (5) lyser rött och lasern blinkar överskrids det tillåtna lutningsområdet på 6 grader. Placera enheten horisontellt tills driftlägeslampan (5) lyser grönt och lasern slutar blinka.
5. För att stänga av, skjut låsknappen (2) åt vänster och håll nere strömbrytaren (1). Lasern stängs av och pendeln läses.



Skjut låsknappen (2) åt vänster vid transport. Detta låser pendelenheten, eftersom den annars kan skadas.

Manuellt läge (fig. A)

Lasern kan justeras manuellt till den önskade vinkeln, för att till exempel visa en diagonal linje.

1. Placera lasern på en plan yta eller montera den på universalklämman (6) eller stativet (ingår ej) och fäst den enligt beskrivningen ovan.
2. Kontrollera om låsknappen (2) är ställd till vänster. Om inte, skjut låsknappen (2) åt vänster.
3. Laserlinjerna kan slås på en i taget eller alla samtidigt.

- Tryck på strömbrytaren (1) på enheten för att slå på den horisontella linjen och den främre vertikala linjen.
- Tryck två gånger på strömbrytaren (2) för den vertikala frontlasern.
- Tryck tre gånger på strömbrytaren (2) för den horisontella lasern.

Driftlägeslampan (5) lyser rött eftersom pendeln är blockerad.

4. Nu kan du luta lasern till den vinkel du behöver, så att linjerna visas diagonalt på väggen, marken eller taket.
5. Håll strömbrytaren (1) intryckt för att stänga av utrustningen. Kontrollera om låsknappen (2) är ställd till vänster. Om inte, skjut låsknappen (2) åt vänster.

5. UNDERHÅLL**Noggrannhetskontroll**

Endast mitten av laserlinjen får användas för markering. Bredden på laserlinjen ändras beroende på avståndet.

Snabb horisontell linjekontroll (fig. A, E1)

1. Ställ in enheten på cirka 5 meter från väggen.
2. Skjut låsknappen (2) åt höger. Tryck tre gånger på strömbrytaren (2) för den horisontella lasern. Om driftlägeslampan (5) lyser rött och lasern blinkar överskrids det tillåtna lutningsområdet på 6 grader. Placera enheten horisontellt tills driftlägeslampan (5) lyser grönt och lasern slutar blinka.
3. Efter att den har planat ut själv, markera en horisontell markering på väggen som visas i figur E1. Märk detta som punkt A.
4. Vrid lasern 2,5 m åt höger.
5. Sätt på lasern och markera den horisontellt på väggen efter att den har planat ut själv. Märk detta som punkt B som visas i figur E1. När punkterna A och B är mer än 2,5 mm från ett vertikalt perspektiv är en kalibreringskontroll nödvändig.

Snabb vertikal linjekontroll (fig. A, E2)

1. Ställ in enheten på cirka 5 meter från väggen.
2. Häng ett 2,5 meter snöre på väggen med en vikt på änden av repet som visas i figur E2. Snöret måste kunna svänga fritt.
3. Skjut låsknappen (2) åt höger. Tryck två gånger på strömbrytaren (2) för den vertikala front-

lasern. Placera den vertikala linjen bredvid tråden. Om driftlägeslampan (5) lyser rött och lasern blinkar överskrids det tillåtna lutningsområdet på 6 grader. Placera enheten horisontellt tills driftlägeslampan (5) lyser grönt och lasern slutar blinka. Efter det att det självjusterats får skillnaden inte överstiga $\pm 2,5$ mm. Om den är mer än 2,5 mm är en kalibreringskontroll nödvändig.

Kalibreringskontroll (fig. A, F)

Noggrannheten hos den horisontella strålen kan kontrolleras genom att följa dessa steg:

1. Ställ enheten på ett stativ, centrerat i ett rum med väggar idealiskt 5 meter bort.
2. Skjut låsknappen (2) åt höger. Tryck tre gånger på strömbrytaren (2) för den horisontella lasern. Om driftlägeslampan (5) lyser rött och lasern blinkar överskrids det tillåtna lutningsområdet på 6 grader. Placera enheten horisontellt tills driftlägeslampan (5) lyser grönt och lasern slutar blinka.
3. När det har planat ut själv, markera ett horisontellt märke på väggen var som helst längs den horisontella linjen för att ange strålens höjd. Märk detta som punkt A som visas i figur F1.
4. Vrid enheten 180° och markera punkten B som den visas i figur F2 efter att den har planat ut.
5. Vrid enheten 180°. Placera enheten så nära väggen som möjligt på höjden av punkt A som visas i fig. F3.
6. Vrid enheten 180° och markera punkt C. efter att den har planat ut själv, markeringen ska antingen vara direkt ovanför, under eller ovanpå punkt B som visas i fig. F4. Skillnaden mellan punkterna B och C är toleransen. När B och C är mer än 0,5 mm/m är det nödvändigt att justera. Kontakta din auktoriserade återförsäljare eller Vonrocs serviceavdelning.

Rengöring



OBSERVERA! Risk för skada på produkten!
Sänk aldrig enheten i vatten under rengöring.

Använd inte rengöringsmedel eller lösningsmedel. Torka av apparaten med en torr trasa.

Förvaring



OBSERVERA! Risk för skada på produkten!
Hantera alltid mätinstrument med omsorg.

- Förvara produkten på en torr, välventilerad plats.
- Förvara och transportera endast produkten i originalförpackningen.
- Förhindra stora temperatursvängningar: Temperera alltid produkten en stund innan den används i extremt kalla eller heta miljöer.



OBSERVERA! Risk för skada på produkten!

Gamla, läckande batterier kan skada produkten. Kontrollera batteriet regelbundet.

MILJÖ



Felaktig och/eller kasserad elektrisk eller elektronisk utrustning måste lämnas in på lämpliga återvinningsstationer.

Endast för EU-länder

Kassera inte elverktyg i hushållsavfall. Enligt den europeiska riktlinjen 2012/19/EU om kasserad elektrisk och elektronisk utrustning och dess tillämpning i nationell rätt måste elverktyg som inte längre är användbara samlas in separat och kasseras på ett miljövänligt sätt.

GARANTI

VONROC produkter är utvecklade enligt högsta kvalitetsstandard och garanteras vara utan defekter både vad gäller material och tillverkning under den period som stipuleras enligt lag med början från ursprungligt inköpsdatum. Om något fel uppstår på produkten under denna period på grund av material- och/eller tillverkningsfel skall VONROC kontaktas direkt.

Följande omständigheter exkluderas från denna garanti:

- Reparationer eller ändringar som gjorts eller försökt göras på maskinen av ett icke auktoriserat servicecenter.
- Normalt slitage.
- Verktyget har missbrukats, använts fel eller underhållits på felaktigt sätt.
- Icke-originalreservdelar har använts.

Detta utgör hela garantin från företaget, antingen uttryckt eller underförstått. Det finns inga andra garantier, uttalande eller underförstådda som gäller utöver ordalydelsen härav, häri, inklusive de

outtalade garantierna för säljbarhet och lämplighet för ett särskilt syfte. Under inga omständigheter skall VONROC hållas ansvarig för några oförutsedda eller indirekta skador. Återförsäljarens åtgärder skall begränsas till reparation eller byte av felaktiga enheter eller delar.

Med förbehåll för ändringar i produkten och bruksanvisningen. Specifikationer kan ändras utan förvarning.

1. SIKKERHEDSANVISNINGER

Læs de medfølgende sikkerhedsadvarsler, de supplerende sikkerhedsadvarsler og instruktionerne. Såfremt sikkerhedsadvarsler og instruktioner ikke følges, kan dette medføre elektriske stød, brand og/eller alvorlige ulykker. Gem alle sikkerhedsadvarsler og instruktioner til fremtidig reference.

Følgende symboler anvendes i denne brugermanual eller på produktet:



Læs brugermanualen.



Angiver risiko for personskade, dødsfald eller beskadigelse af varmeren i tilfælde af manglende overholdelse af anvisningerne i denne vejledning.



Må ikke bruges i regnvejr.



Kun til indendørs brug.



Kassér ikke produktet i en forkert container.



Produktet overholder de gældende sikkerhedsstandarder i de europæiske direktiver.



Risiko for øjenskade på grund af laserstråler! Kig aldrig direkte ind i laseren, og vend ikke laserstrålen mod reflekterende overflader!

GENERELLE SIKKERHEDSADVARSLER

- For at betjene denne enhed sikkert skal brugeren have læst og forstået disse brugsanvisninger, inden du bruger enheden for første gang.
- Overhold alle sikkerhedsanvisninger! Ellers kan det forårsage skader på dig og andre.
- Behold alle brugsanvisninger og sikkerhedsanvisninger til fremtidig reference.
- Hvis du sælger eller videregiver enheden, skal du også overdrage disse betjeningsanvisninger.
- Enheden må kun bruges, når den fungerer korrekt. Hvis produktet eller en del af produktet er defekt, skal det tages ud af drift og bortskaffes korrekt.
- Brug aldrig enheden i et rum, hvor der er en fare for eksplosion, eller i nærheden eller brændbare væsker eller gasser.

- Hold børn væk fra enheden! Hold enheden væk fra børn og andre uautoriserede personer.

SPECIFIKKE SIKKERHEDSADVARSLER

- Enheden er beregnet til brug i et tørt miljø.
- Undgå påvirkning af fugt og snavs samt direkte solstråler.
- Betjen ikke enheden i nærheden af svejsmaskiner, induktionsvarmere og andre elektromagnetiske felter.
- Udsæt ikke enheden for høje temperaturer gennem længere tid.
- Symboler, der vises på din enhed, må ikke fjernes eller tildækkes. Skilte på enheden, der ikke længere kan læses, skal udskiftes med det samme.

SIKKERHEDSADVARSLER FOR BATTERI

- Åbn ikke batteriet.** Fare for kortslutning.
- Beskyt batteriet mod varme, f.eks. mod kontinuerligt intenst sollys, brand, vand og fugt.** Fare for eksplosion.
- I tilfælde af skade og forkert brug af batteriet, kan der blive udsendt dampe. Udluft området, og søg lægehjælp i tilfælde af klager.** Dampene kan irritere åndedrætssystemet.
- Brug kun batteriet sammen med dit VONROC-produkt.** Denne foranstaltning alene beskytter batteriet mod farlig overbelastning.
- Batteriet kan blive beskadiget af spidse genstande såsom søm eller skruetrækkere eller af eksternt påført kraft.** Der kan opstå en intern kortslutning, og batteriet kan brænde, ryge, eksplodere eller bliver overophedet.

Håndtering af laserstråler

- Kig ikke direkte ind i strålen, selv ikke fra store afstande.
- Vend aldrig målestrålen direkte mod personer, andre levende væsener eller reflekterende overflader.
- Traditionelle laserbriller beskytter ikke mod farerne ved laserstråler. De fungerer kun som forberedt genkendelse af laserstrålen.

LL505DC rød laser:



Advarsel - Laserstråle
Kig aldrig ind i lysstrålen
Laser klasse 2
ifølge EN60825-1: 2014;
λ: 620-690 nm; P<_1mW

LL506DC grøn laser:



Advarsel - Laserstråle
Kig aldrig ind i lysstrålen
Laser klasse 2
ifølge EN60825-1: 2014;
λ: 510-530 nm; P<_1mW

2. MASKINOPLYSNINGER

Tilsigtet brug

360° krydslinjelaseren er beregnet til bestemme og kontrollere vandrette og lodrette linjer på væggen og er derfor designet til at justere genstande såsom køkkener, vægge, lofter, fliser eller billeder. Linjelaseren er velegnet til indendørs brug.

TEKNISKE SPECIFIKATIONER

Model nr.	LL505DC	LL506DC
Stråleretning	Lodret / 360° vandret	
Laserlinjens farve	Rødt	Grønt
Laserens bølgelængde	620~690 nm	510~530 nm
Laserklasse	II (<mW) ifølge EN60825-1: 2014;	
Driftsrækkevidde*	20m	40m
Nøjagtighed	± 0.5 mm/m	
Selvnivellerende rækkevidde	± 6°	
Nivelleringsstid	4 s	
Beskyttelse	IP 20	
Trefod-forbindelsesenhed	1/4"	
Trefod-forbindelsesbeslag	1/4" and 5/8"	
Anbefalet trefod	LL801AA	
Driftstid, maks.	12.5 timer	4 timer
Driftstemperatur	-10~40 °C	
Opbevaringstemperatur	-20~70 °C	
Genopladelig batteripakke	3.7V, 2600mAh (Li-ion)	
Batteriets opladningstid	3 time	
Vægt (uden magnetisk beslag)	380 g	
Mål (uden magnetisk beslag)	105x60x115 mm	

* Driftsområdet kan blive reduceret af ugunstige miljøforhold (f.eks. direkte sollys).

BESKRIVELSE

Tallene i teksten henviser til diagrammerne på side 2-4.

1. Tænd-/sluk-knap
2. Låsekontakt
3. Laserstråleudgang
4. LED-indikator
5. LED-lampe for driftstilstand
6. Magnetisk beslag
7. Hængehul
8. Justeringsgreb (til højde)
9. Monteringshjul
10. ¼ tommers trefodsforbindelse
11. 5/8" trefodsforbindelse
12. 1/4" hangevind
13. Magneter
14. USB type-C stik*
15. USB-kabel*
16. USB type-A stik*
17. USB type-C forbindelse*

* USB Type-C® og USB-C® er varemærker tilhørende USB Implementers Forum.

3. SAMLING

Brug af det magnetiske beslag (fig. B)

Dette beslag (6) gør det muligt at montere enheden på hvilken som helst lodret overflade fremstillet af stål eller jern ved hjælp af magneterne (13) på bagsiden. Beslaget har også et hængehul (7), som gør det muligt at hænge enheden fra et søm eller en skrue på hvilken som helst passende overflade.

For at montere 360° krydslinjelaseren på beslaget skal du gøre følgende:

1. Skru beslagets hangevind (12) ind i trefodsforbindelsen (10) ved enheden ved hjælp af hjulet (9).
2. Brug højdejusteringsenheden (8) til at justere 360° krydslinjelaseren til den påkrævede højde. Følg proceduren i omvendt rækkefølge for at demontere den.

Brug af trefoden (ikke inkluderet) (fig. B)

1. Placer enheden med trefodsforbindelsen (10, 11) på gevindet af trefoden eller en traditionel kameratrefod.

2. Juster trefoden nogenlunde, inden du tænder for enheden.

4. DRIFT



Kun midten af laserlinjen må bruges til markering. Laserlinjens bredde ændres afhængigt af afstanden.



Det anbefales at udføre en nøjagtighedskontrol inden første brug og periodiske eftersyn under fremtidig brug, især for præcise layout. Dette skal også foretages, når laseren muligvis er blevet tabt.



Fare for personskade på grund af defekte komponenter! Produktet må kun tages i brug, hvis der ikke findes nogen fejl. Sørg for, at defekte dele udskiftes, inden produktet bruges igen.



ADVARSEL! Risiko for skade på grund af laserstråle! Vend aldrig laserstrålen direkte mod personer, andre levende væsener eller reflekterende overflader.

Opladning af enheden (fig. C)



Maskinen skal oplades inden første brug.

1. Slut USB type-C stikket (14) til USB type-C forbindelsen (17) på maskinen.
2. Sæt USB type-A plug (16) ind i en strømadapter (medfølger ikke) eller enhed (f.eks. computer, powerbank) med en velegnet USB-forbindelse. Bemærk, at enheden skal kunne levere konstant 5V 2A strøm.
3. LED-indikatoren for batteri (4) lyser og viser opladestatussen.

LED-opladerstatus

Rødt	Batteriopladning i gang
Grønt	Opladning afsluttet, batteri helt opladet

4. Når batteriet er helt opladet, skal du fjerne USB type-C stikket (14) fra USB type-C forbindelsen (17).



Hvis batteriet er tomt, kan enheden også strømforsynes med opladeren eller med powerbanken. Følg trinene som herover.



Når maskinen ikke bruges gennem en længere periode, er det bedst at opbevare batteriet i opladet tilstand.

Kontrollér enheden:

- Sørg for, at alle dele sidder godt fast på maskinen.
- Kontroller, om der er synlige fejl: ødelagte dele, revner osv.
- Kontroller nøjagtigheden, når du bruger laseren for første gang, eller når laserens nøjagtighed ikke er blevet kontrolleret i et stykke tid.
- Kontroller også nøjagtigheden, når laseren muligvis er blevet tabt.

Selvnivelleringsstilstand (fig. A, D)

Laserne justeres automatisk ved hjælp af pendulet, så de lodrette og vandrette linjer vises fladt på væggen.

1. Placer laseren på en plan overflade, eller monter den på det magnetiske beslag (6) eller trefoden (medfølger ikke) og fastgør den som beskrevet herover.
2. Skub låseknappen (2) til højre.
3. Laserlinjerne kan tændes én ad gangen eller alle på samme tid.
 - Tryk på tænd-/sluk-knappen (1) på enheden for at tænde for den vandrette linje og den forreste lodrette linje.
 - Tryk to gange på tænd-/sluk-knappen (2) for den lodrette forreste laser.
 - Tryk tre gange på tænd-/sluk-knappen (2) for den vandrette laser.
4. LED-lampen for driftstilstand (5) lyser rødt, og laseren blinker, er det tilladte hældningsinterval på 6 grader overskredet. Placer enheden vandret, indtil LED-lampen for driftstilstand (5) lyser grønt, og laseren holder op med at blinke.
5. For at slukke den skal du skubbe låsekontakten (2) til venstre og holde ned på tænd-/sluk-knappen (1). Laseren slukkes, og pendulet låses.



Skub låsekontakten (2) til venstre, når du transporterer den. Dette låser pendulenheden, da den ellers kan blive transporteret.

Manuel tilstand (fig. A)

Laseren kan justeres manuelt til den ønskede vinkel, f.eks. for at kunne vise en diagonal linje.

1. Placer laseren på en plan overflade, eller monter den på det magnetiske beslag (6) eller trefoden (medfølger ikke) og fastgør den som beskrevet herover.
2. Kontroller, at låseknappen (2) er indstillet til venstre. Hvis ikke, skal du skubbe låseknappen (2) til venstre.
3. Laserlinjerne kan tændes én ad gangen eller alle på samme tid.
 - Tryk på tænd-/sluk-knappen (1) på enheden for at tænde for den vandrette linje og den forreste lodrette linje.
 - Tryk to gange på tænd-/sluk-knappen (2) for den lodrette forreste laser.
 - Tryk tre gange på tænd-/sluk-knappen (2) for den vandrette laser.
 LED-lampen for driftstilstand (5) lyser rødt, fordi pendulet er blokeret.
4. Nu kan du vippe laseren til den ønskede vinkel, så linjerne vises diagonalt på væggen, gulvet eller loftet.
5. Hold tænd-/sluk-knappen (1) nede for at slukke for udstyret. Kontroller, at låseknappen (2) er indstillet til venstre. Hvis ikke, skal du skubbe låseknappen (2) til venstre.

5. VEDLIGEHOLDELSE

Nøjagtighedskontrol

Kun midten af laserlinjen må bruges til markering. Laserlinjens bredde ændres afhængigt af afstanden.

Hurtig vandret linjekontrol (fig. A, E1)

1. Indstil enheden ca. 5 meter fra væggen.
2. Skub låseknappen (2) til højre. Tryk tre gange på tænd-/sluk-knappen (2) for den vandrette laser. LED-lampen for driftstilstand (5) lyser rødt, og laseren blinker, er det tilladte hældningsinterval på 6 grader overskredet. Placer enheden vandret, indtil LED-lampen for driftstilstand (5) lyser grønt, og laseren holder op med at blinke.
3. Efter den selvnivellerer, skal du lave et vandret mærke på væggen, som vist i figur E1. Marker dette som punkt A.
4. Drej laseren 2,5 m til højre.
5. Tænd for laseren, og efter den selvnivellerer, skal du lave et vandret mærke på væggen. Marker

dette som punkt B som vist i figur E1. Når der er over 2,5 mm mellem punkt A og B fra et lodret perspektiv, er en kalibreringskontrol nødvendig.

Hurtig lodret linjekontrol (fig. A, E2):

1. Indstil enheden ca. 5 meter fra væggen.
2. Hæng et 2,5 meter reb på væggen med en vægt for enden af rebet som vist i figur E2. Rebet skal kunne svinge frit.
3. Skub låseknappen (2) til højre. Tryk to gange på tænd-/sluk-knappen (2) for den lodrette forreste laser. Placer den lodrette linje ved siden af ledningen. LED-lampen for driftstilstand (5) lyser rødt, og laseren blinker, er det tilladte hædningsinterval på 6 grader overskredet. Placer enheden vandret, indtil LED-lampen for driftstilstand (5) lyser grønt, og laseren holder op med at blinke. Efter den selvnivellerer, må forskellen ikke overskride $\pm 2,5$ mm. Når der er mere end 2,5 mm mellem dem, skal der foretages en kalibreringskontrol.

Kalibreringskontrol (fig. A, F)

Den vandrette stråles nøjagtighed kan kontrolleres ved at følge disse trin:

1. Anbring enheden på en trefod midt i et rum, hvor væggene helst skal være ved 5 meters afstand.
2. Skub låseknappen (2) til højre. Tryk tre gange på tænd-/sluk-knappen (2) for den vandrette laser. LED-lampen for driftstilstand (5) lyser rødt, og laseren blinker, er det tilladte hædningsinterval på 6 grader overskredet. Placer enheden vandret, indtil LED-lampen for driftstilstand (5) lyser grønt, og laseren holder op med at blinke.
3. Efter den selvnivellerer, skal du lave et horisontalt mærke på væggen hvor som helst langs den vandrette linje for at angive strålens højde. Marker dette som punkt A som vist i fig. F1.
4. Drej enheden 180°, og efter den selvnivellerer, skal du markere punkt B som vist i fig. F2.
5. Drej enheden 180°. Placer enheden så tæt som muligt på væggen i højden af punkt A som vist i fig. F3.
6. Drej enheden 180°, og efter den selvnivellerer, skal du markere punkt C. Dette mærke bør enten være direkte over, under eller oven på punkt B som vist i fig. F4. Forskellen mellem punkt B og C er tolerancen. Når B og C befinder sig mere end 0,5 mm/m fra hinanden, skal der foretages en justering. Kontakt din autoriserede forhandler eller Vonroc serviceafdeling.

Rengøring



BEMÆRK! Risiko for produktskade!
Nedsænk aldrig enhed i vand under rengøring.

Brug ikke rengøringsmidler eller opløsningsmidler. Tør enheden med en tør klud.

Opbevaring



BEMÆRK! Risiko for produktskade! Hånder altid måleinstrumenter forsigtigt.

- Opbevar produktet på et tørt område med god ventilation.
- Produktet må kun opbevares og transporteres i dets originale emballage.
- Undgå store temperaturudsving: Temperer altid produktet i et stykke tid, inden det bruges i meget kolde eller varme omgivelser.



BEMÆRK! Risiko for produktskade! Gamle batterier med lækage kan beskadige produktet. Kontrollér regelmæssigt batteriet.

MILJØ



Defekte og/eller bortskaffede elektriske og elektroniske apparater skal afleveres på en passende genbrugsstation.

Kun for lande i EU

Maskinværktøj må ikke bortskaffes sammen med husholdningsaffald. Ifølge EU-direktiv 2012/19/EU om affald af elektrisk og elektronisk udstyr og dets gennemførelse i den nationale lovgivning skal maskinværktøjer, der ikke længere anvendes, afleveres separat og bortskaffes på en miljøvenlig måde.

GARANTIVILKÅR

VONROC produkter er udviklet efter de højeste kvalitetsstandarder og er garanteret fri for mangler i såvel materialer som udførelse i den lovpligtige periode, der starter fra datoen for det oprindelige køb. Skulle produktet udvikle nogen fejl i løbet af denne periode på grund af defekte materialer og/eller fabriktionsfejl, så kontakt VONROC direkte.

De følgende forhold er udelukket fra denne garanti:

- Reparationer og eller rettelser er blevet foretaget eller forsøgt foretaget på maskinen af uautoriserede servicecentre;
- Normal slitage.
- Værktøjet har været misligholdt, misbrugt eller vedligeholdt forkert.
- Ikke originale reservedele er blevet anvendt.

Dette udgør den eneste garanti fra virksomheden enten udtrykt eller underforstået. Der er ingen andre garantier udtrykt eller underforstået, som strækker sig ud over forsiden heraf, heri, herunder underforståede garantier for salgbarhed og egnethed til et bestemt formål. VONROC vil under ingen omstændigheder være ansvarlig for hændelige skader eller følgeskader. Forhandlernes afhjælpningsmidler vil være begrænsede til reparation eller udskiftning af fejlbehæftede enheder eller dele.

Produktet og brugermanualen kan ændres. Specifikationer kan ændres uden forudgående varsel.

1. INSTRUKCJE BEZPIECZEŃSTWA

Przeczytać dołączone ostrzeżenia dotyczące bezpieczeństwa, dodatkowe ostrzeżenia dotyczące bezpieczeństwa oraz instrukcję. Nieprzestrzeganie ostrzeżeń dotyczących bezpieczeństwa oraz instrukcji może prowadzić do porażenia prądem, pożaru i/ lub poważnych obrażeń ciała. Zachować ostrzeżenia dotyczące bezpieczeństwa oraz instrukcje na przyszłość.

Następujące symbole są umieszczone w instrukcji obsługi lub na produkcie:



Przeczytać instrukcje obsługi.



Oznacza ryzyko obrażeń ciała, śmierci lub uszkodzenia narzędzia w razie nieprzestrzegania poleceń z instrukcji.



Nie używać w deszczu.



Tylko do użytku w pomieszczeniach.



Nie wyrzucać produktu do nieodpowiednich pojemników.



Produkt spełnia wymogi odpowiednich norm bezpieczeństwa podanych w dyrektywach UE.



Ryzyko uszkodzenia wzroku przez promień lasera! Nigdy nie patrzeć bezpośrednio w promień lasera i nie kierować promienia lasera na powierzchnie odbijające światło!

OGÓLNE INSTRUKCJE DOTYCZĄCE BEZPIECZEŃSTWA

- Aby bezpiecznie obsługiwać to urządzenie, użytkownik musi przeczytać i zrozumieć niniejszą instrukcję przed pierwszym użyciem urządzenia.
- Przestrzegać wszystkich instrukcji dotyczących bezpieczeństwa! W przeciwnym razie może dojść do obrażeń ciała użytkownika i innych osób.
- Zachować instrukcję w całości, aby móc skorzystać z instrukcji dotyczących bezpieczeństwa w przyszłości.
- W razie sprzedaży lub przekazania urządzenia innej osobie przekazać również niniejszą instrukcję obsługi.

- Urządzenia wolno używać tylko wtedy, gdy działa prawidłowo. Jeśli produkt lub jego część jest wadliwa, zaprzestać użytkowania i odpowiednio zutylizować produkt/część.
- Nigdy nie używać urządzenia w pomieszczeniu o atmosferze wybuchowej ani w pobliżu łatwopalnych cieczy lub gazów.
- Nie pozwalać dzieciom zbliżać się do urządzenia! Przechowywać urządzenie z dala od dzieci i innych osób nieuprawnionych do jego obsługi.
- Nie używać do celów medycznych.
- Nie otwierać obudowy. Otwierać wyłącznie komorę baterii.

INSTRUKCJE DOTYCZĄCE BEZPIECZEŃSTWA

- To urządzenie jest przeznaczone do użytku w suchym otoczeniu.
- Unikać wpływu wilgoci oraz kurzu i bezpośrednio nasłonecznienia.
- Nie używać tego urządzenia w pobliżu spawarek, nagrzewnic indukcyjnych i innych urządzeń generujących pole elektromagnetyczne.
- Nie narażać urządzenia na długotrwały wpływ wysokiej temperatury.
- Symboli umieszczonych na urządzeniu nie wolno usuwać ani zastępować. Nieczytelne symbole na urządzeniu należy niezwłocznie wymienić.

OSTRZEŻENIA DOTYCZĄCE AKUMULATORA

- Nie otwierać akumulatora.** Ryzyko zwarcia.
- Chronić akumulator przed gorącem, np. Długotrwałym silnym nasłonecznieniem, ogniem, wodą i wilgocią.** Ryzyko wybuchu.
- W razie uszkodzenia i błędnego użytkowania akumulatora, może dojść do emisji oparów. Przewietrzć miejsce emisji i uzyskać pomoc lekarską w razie dolegliwości.** Opary mogą powodować podrażnienie układu oddechowego.
- Używać akumulatora wyłącznie w połączeniu z produktem marki Vonroc.** Takie postępowanie chroni akumulator przed niebezpiecznym przeciążeniem.
- Akumulator może zostać uszkodzony przez ostro zakończone przedmioty, jak gwoździe lub wkrętki, albo przez uderzenie z zewnątrz.** Może dojść do wewnętrznego zwarcia i akumulator może zacząć się palić, dymić, wybuchnąć lub przegrzać się.

Obchodzenie się z promieniami lasera

- Nie patrzeć bezpośrednio w promień, nawet z dużej odległości.
- Nigdy nie kierować promienia pomiarowego na ludzi, inne istoty żywe lub powierzchnie odbijające światło.
- Konwencjonalne okulary do pracy z laserami nie chronią przed zagrożeniami związanymi z promieniami lasera. Służą one jedynie do zwiększenia widoczności promienia lasera.

LL505DC laser czerwony:



Ostrzeżenie - promień lasera

Nigdy nie patrzeć w promień
Laser Klasy 2

Według EN60825-1: 2014;
λ: 620-690 nm; P<_ 1mW

LL506DC laser czerwony:



Ostrzeżenie - promień lasera

Nigdy nie patrzeć w promień
Laser Klasy 2

Według EN60825-1: 2014;
λ: 510-530 nm; P<_ 1mW

2. INFORMACJE O MASZYNE

Przeznaczenie

Krzyżowy laser liniowy 360° jest przeznaczony do wyznaczania i sprawdzania linii poziomych i pionowych na ścianach, co pozwala na odpowiednie umieszczanie elementów, takich jak meble kuchenne, ściany, stropy, płytki ceramiczne lub zdjęcia. Laser liniowy jest przeznaczony do użytku wewnątrz pomieszczeń.

DANE TECHNICZNE

Nr modelu	LL505DC	LL506DC
Kierunek wiązek	Pion/poziom 360°	
Kolor linii lasera	Czerwony	Zielony
Długość fali lasera	620~690 nm	510~530 nm
Klasa lasera	II (<mW) zgodnie z EN60825-1: 2014;	
Zasięg roboczy*	20m	40m
Dokładność	± 0.5 mm/m	
Zakres samopoziomowania	± 6°	

Czas poziomowania	4 s	
Stopień ochrony	IP 20	
Złącze statywu	1/4"	
Wspornik złącza statywu	1/4" and 5/8"	
Zalecany statyw	LL801AA	
Czas pracy, maks.	12.5 godzin	4 godzin
Temperatura robocza	-10~40 °C	
Temperatura przechowywania	-20~70 °C	
Akumulator	3.7V, 2600mAh (Litowo-jonowy)	
Czas ładowania akumulatora	3 godzina	
Ciężar (bez uchwytu magnetycznego)	380 g	
Wymiary (bez uchwytu magnetycznego)	105x60x115 mm	

* Zasięg roboczy może ulec ograniczeniu z powodu niekorzystnych warunków otoczenia (np. bezpośredniego nasłonecznienia).

OPIS

Liczby w tekście odnoszą się do rysunków na stronach 2-4.

1. Włącznik
2. Przełącznik blokady
3. Wylot wiązki laserowej
4. Dioda LED
5. Dioda LED trybu pracy
6. Uchwyt magnetyczny
7. Otwór do wieszania
8. Pokrętko regulacji (wysokości)
9. Pokrętko mocujące
10. Złącze statywu ¼ cala
11. Złącze statywu 5/8"
12. Gwint męski 1/4"
13. Magnes
14. Wtyczka USB typu C*
15. Kabel USB*
16. Wtyczka USB typu A*
17. Złącze USB typu C*

* USB Type-CR i USB-CR to znaki towarowe USB Implementers Forum.

Korzystanie z uchwytu magnetycznego (rys. B)

Ten uchwyt (6) pozwala na przymocowanie urządzenia do dowolnej powierzchni pionowej wykonanej ze stali lub żelaza z użyciem magnesów (13) z tyłu. Ten uchwyt jest również wyposażony w otwór do wieszania (7), co pozwala na zawieszanie na gwoździu lub wkręcie na dowolnej odpowiedniej powierzchni.

Aby dopasować krzyżowy laser liniowy 360° do mocowania, postępować zgodnie z opisem poniżej:

1. Wkręcić gwint męski uchwytu (12) w złącze statywu (10) urządzenia za pomocą pokrętki (9).
2. Użyć regulatora wysokości (8) do ustawienia krzyżowego lasera liniowego 360° na żadaną wysokość. Aby zdemontować, wykonać powyższą procedurę w odwrotnej kolejności.

Korzystanie ze statywu (nie dołączony) (rys. B)

1. Umieścić złącze statywu urządzenia (10, 11) na gwincie specjalnego statywu lub standardowego statywu do aparatu.
2. Wstępnie wypoziomować statyw przed włączeniem urządzenia.

4. OBSŁUGA



Do wyznaczania stosować wyłącznie środek linii lasera. Szerokość linii lasera zmienia się w zależności od odległości.



Zaleca się przeprowadzenie kontroli dokładności przed pierwszym użyciem i przeprowadzanie okresowej kontroli podczas użytkowania, szczególnie w przypadku projektów wymagających wysokiej dokładności wyznaczania. Przeprowadzać kontrolę również po upuszczeniu lasera.



Ryzyko obrażeń ciała spowodowanych przez wadliwe komponenty! Produkt można używać tylko wtedy, gdy jest całkowicie sprawny. Dopilnować, aby wszelkie wadliwe części zostały wymienione przed ponownym użyciem produktu.



OSTRZEŻENIE! Ryzyko uszkodzenia ciała przez promień lasera! Nigdy nie kierować promienia lasera na ludzi, inne istoty żywe lub powierzchnie odbijające światło.

Ładowanie urządzenia (Rys. C)

Narzędzie należy naładować przed pierwszym użyciem.

1. Podłączyć wtyczkę USB typu C (14) do złącza USB typu C (17) na narzędziu.
2. Podłączyć wtyczkę USB typu A (16) do ładowarki (nie dołączona) lub urządzenia (np. komputera, powerbanku) wyposażonego w odpowiednie gniazdo USB. Zwrocić uwagę, że urządzenie powinno być w stanie zapewniać stałe zasilanie z napięciem 5 V i natężeniem 2 A.
3. Kontrolka akumulatora LED (4) zaświeci się, informując o stanie ładowania.

Stan ładowarki - dioda LED	
Czerwony	Ładowanie akumulatora w toku
Zielony	Ładowanie zakończone, akumulator całkowicie naładowany

4. Po całkowitym naładowaniu akumulatora, wyjąć wtyczkę USB typu C (10) z gniazda USB typu C (13).



Jeśli akumulator jest rozładowany, można również zasilać urządzenie ładowarką lub powerbankiem. Postępuj zgodnie z opisem powyżej.



Kiedy narzędzie nie jest używane przez długi okres, najlepiej przechowywać akumulator w stanie naładowanym.

Sprawdzić urządzenie:

- Sprawdzić, czy wszystkie części są dobrze dopasowane i zamocowane.
- Sprawdzić, czy nie widać żadnych widocznych uszkodzeń: pękniętych części, pęknięć itp.
- Sprawdzić dokładność w przypadku używania lasera pierwszy raz, lub jeśli od jakiegoś czasu nie przeprowadzono kontroli dokładności.
- Przeprowadzać kontrolę dokładności również po upuszczeniu lasera.

Tryb samopoziomowania (Rys. A, D)

Lasery są poziomicowane automatycznie z użyciem wahadła, dzięki czemu linie pionowe i poziome są wyświetlane prawidłowo na ścianach.

1. Umieścić laser na płaskiej powierzchni lub przymocować go do wspornika magnetycznego (6) lub statywu (nie dołączony) i zamocować zgodnie z opisem powyżej.
2. Przesunąć przełącznik blokady (2) w prawo.
3. Linie lasera mogą być włączone pojedynczo lub wszystkie naraz.
 - Wcisnąć włącznik (1) na urządzeniu, aby włączyć wyświetlanie linii poziomej i przedniej linii pionowej.
 - Dwukrotne wciśnięcie włącznika (2) włącza pionową przednią linię lasera.
 - Trzykrotne wciśnięcie włącznika (2) włącza laser poziomy.
4. Jeśli dioda LED trybu pracy (5) świeci na czerwono i laser miga, oznacza to, że dopuszczalny zakres odchylenia 6 stopni został przekroczony. Ustawić urządzenie bardziej poziomo, aby dioda LED trybu pracy (5) zaczęła świecić i laser przestał migać.
5. Aby wyłączyć urządzenie, przesunąć przełącznik blokady (2) w lewo i przytrzymać włącznik (1). Laser wyłączy się i wahadło zostanie zablokowane.



Przesunąć przełącznik blokady (2) w lewo na czas transportu urządzenia. Powoduje to zablokowanie wahadła, które w przeciwnym razie mogłoby ulec uszkodzeniu.

Tryb ręczny (Rys. A)

Laser można ręcznie ustawić na żądany kąt, co pozwala na przykład na wyświetlanie linii na ukos.

1. Umieścić laser na płaskiej powierzchni lub przymocować go do wspornika magnetycznego (6) lub statywu (nie dołączony) i zamocować zgodnie z opisem powyżej.
 2. Sprawdzić, czy przełącznik blokady (2) jest przesunięty w lewo. Jeśli nie jest, przesunąć przełącznik blokady (2) w lewo.
 3. Linie lasera mogą być włączone pojedynczo lub wszystkie naraz.
 - Wcisnąć włącznik (1) na urządzeniu, aby włączyć wyświetlanie linii poziomej i przedniej linii pionowej.
 - Dwukrotne wciśnięcie włącznika (2) włącza pionową przednią linię lasera.
 - Trzykrotne wciśnięcie włącznika (2) włącza laser poziomy.
- Dioda LED trybu pracy (5) będzie świecić na czerwono, informując o zablokowaniu wahadła.

4. Teraz można przechylić laser pod żądanym kątem, aby linie były wyświetlane ukośnie na ścianie, podłozie lub suficie.
5. Przytrzymać włącznik (1), aby wyłączyć urządzenie. Sprawdzić, czy przełącznik blokady (2) jest przesunięty w lewo. Jeśli nie jest, przesunąć przełącznik blokady (2) w lewo.

5. KONSERWACJA

Kontrola dokładności



Do wyznaczania stosować wyłącznie środek linii lasera. Szerokość linii lasera zmienia się w zależności od odległości.

Szybka kontrola linii poziomej (Rys. A, E1)

1. Ustawić urządzenie około 5 metrów od ściany.



Uszkodzone i/lub niepotrzebne urządzenia elektryczne lub elektroniczne podlegają zbiorcze w odpowiednich punktach recyklingu.

2. Przesunąć przełącznik blokady (2) w prawo. Trzykrotne wciśnięcie włącznika (2) włącza laser poziomy. Jeśli dioda LED trybu pracy (5) świeci na czerwono i laser miga, oznacza to, że dopuszczalny zakres odchylenia 6 stopni został przekroczony. Ustawić urządzenie bardziej poziomo, aby dioda LED trybu pracy (5) zaczęła świecić na zielono i laser przestał migać.
3. Po samopoziomowaniu się urządzenia, wykonać poziome oznaczenie na ścianie zgodnie z rysunkiem E1. Oznaczyć to miejsce jako punkt A.
4. Obrócić laser 2,5 m w prawo.
5. Włączyć laser i, po samopoziomowaniu, wykonać poziome oznaczenie na ścianie. Oznaczyć to miejsce jako punkt B zgodnie z rysunkiem E1. Jeśli punkty A i B znajdują się dalej niż 2,5 mm od siebie w pionie, konieczne jest przeprowadzenie kontroli kalibracji.

Szybka kontrola linii pionowej (Rys. A, E2)

1. Ustawić urządzenie około 5 metrów od ściany.
2. Zawiesić linkę o długości 2,5 m na ścianie i obciążyć koniec linki zgodnie z rysunkiem E2. Linka musi być w stanie swobodnie się bujać.
3. Przesunąć przełącznik blokady (2) w prawo. Dwukrotne wciśnięcie włącznika (2) włącza pionową przednią linię lasera. Ustawić linię pionową wzdłuż linki. Jeśli dioda LED trybu

pracy (5) świeci na czerwono i laser miga, oznacza to, że dopuszczalny zakres odchylenia 6 stopni został przekroczony. Ustawić urządzenie bardziej poziomo, aby dioda LED trybu pracy (5) zaczęła świecić na zielono i laser przestał migać. Po samopoziomowaniu różnica nie może przekraczać $\pm 2,5$ mm. Jeśli różnica przekracza 2,5 mm, konieczna jest kontrola kalibracji.

Kontrola kalibracji (Rys. A, F)

Dokładność wyświetlania wiązki poziomej można sprawdzić za pomocą poniższej procedury:

1. Ustawić urządzenie na statywie, pośrodku pomieszczenia ze ścianami znajdującymi się najlepiej 5 m od urządzenia.
2. Przesunąć przełącznik blokady (2) w prawo. Trzykrotne wciśnięcie włącznika (2) włącza laser poziomy. Jeśli dioda LED trybu pracy (5) świeci na czerwono i laser miga, oznacza to, że dopuszczalny zakres odchylenia 6 stopni został przekroczony. Ustawić urządzenie bardziej poziomo, aby dioda LED trybu pracy (5) zaczęła świecić na zielono i laser przestał migać.
3. Po samopoziomowaniu wykonać oznaczenie poziome na ścianie w dowolnym miejscu wzdłuż linii poziomej, aby wyznaczyć wysokość wyświetlania wiązki. Oznaczyć to miejsce jako punkt A zgodnie z rysunkiem F1.
4. Obrócić urządzenie o 180°, a następnie, po samopoziomowaniu, oznaczyć punkt B zgodnie z rys. F2.
5. Obrócić urządzenie o 180°. Ustawić urządzenie jak najbliższej ściany na wysokości punktu A zgodnie z rys. F3.
6. Obrócić urządzenie o 180°, a następnie, po samopoziomowaniu, oznaczyć punkt C. To oznaczenie powinno znajdować się bezpośrednio pod, nad punktem B lub na nim zgodnie z rys. F4. Różnica między punktami B i C to tolerancja.

Jeśli punkty B i C znajdują się dalej niż 0,5 mm/m od siebie, konieczne jest przeprowadzenie regulacji. Skontaktuj się z autoryzowanym sprzedawcą lub Działem Serwisu Vonroc.

Czyszczenie



UWAGA! Ryzyko uszkodzenia produktu!

Nigdy nie zanoszć urządzenia w wodzie podczas czyszczenia.

Nie używać środków czyszczących ani rozpuszczalników. Wytrzeć urządzenie suchą ściereczką.

Przechowywanie



UWAGA! Ryzyko uszkodzenia produktu!

Zawsze delikatnie obchodzić się z przyrządami pomiarowymi.

- Przechowywać produkt w suchym i dobrze wentylowanym miejscu.
- Przechowywać i transportować produkt w oryginalnym opakowaniu.
- Chronić produkt przed dużymi wahaniami temperatury: Przed użyciem produkty w skrajnie niskiej lub skrajnie wysokiej temperaturze przynieść produkt na chwilę do tej temperatury.



UWAGA! Ryzyko uszkodzenia produktu!

Stare i przeciekające baterie mogą spowodować uszkodzenie produktu. Regularnie sprawdzać baterię.

SRODOWISKO



Uszkodzone i/lub niepotrzebne urządzenia elektryczne lub elektroniczne podlegają zbiorce w odpowiednich punktach recyklingu.

Tylko kraje WE

Nie wyrzucać elektronarzędzi wraz z odpadami z gospodarstw domowych. Zgodnie z dyrektywa 2012/19/WE dotycząca zużytych urządzeń elektrycznych i elektronicznych oraz jej wdrożeniem do prawodawstwa krajowego, elektronarzędzia, które już nie nadają się do użytku, podlegają oddzielnej zbiórce oraz utylizacji w sposób przyjazny dla środowiska.

GWARANCJA

Produkty VONROC są wytwarzane zgodnie z najwyższymi standardami jakości i producent udziela gwarancji na wady materiałowe i wady wykonania na okres wymagany prawem, licząc od dnia zakupu. Jeśli wystąpi usterka produktu w tym okresie spowodowana wadą materiałową i/lub wadą wykonania, proszę bezpośrednio skontaktować się ze sprzedawcą VONROC.

Następujące okoliczności powodują unieważnienie gwarancji:

- Przeprowadzono naprawy lub modyfikacje narzędzia w serwisie innym lub autoryzowany lub podjęto ich próbę;
- Normalne zużycie nie jest objęte gwarancją;
- Narzędzie było używane niezgodnie z przeznaczeniem, źle z nim się obchodzono lub było nieprawidłowo konserwowane;
- Użyto części zamiennych innych niż oryginalne.

Niniejsza gwarancja to wyłączna gwarancja producenta i nie obowiązują żadne inne wyrażone ani dorozumiane gwarancje. Nie obowiązują żadne inne wyrażone ani dorozumiane gwarancje o zakresie przekraczającym niniejszą gwarancję, co obejmuje dorozumiane gwarancje przydatności do sprzedaży i przydatności do określonego celu. W żadnym przypadku firma VONROC nie ponosi odpowiedzialności za straty przypadkowe lub wynikowe. Zadośćuczynienie sprzedawcy jest ograniczone do naprawy lub wymiany niezgodnych urządzeń lub części.

Produkt i instrukcja obsługi podlegają zmianom.

Dane techniczne podlegają zmianom bez uprzedzenia.

1. INSTRUCȚIUNI DE SIGURANȚĂ

Citiți avertizările de siguranță, avertizările de siguranță suplimentare și instrucțiunile. Nerespectarea avertizărilor de siguranță poate cauza producerea de electrocutări, incendii și/sau răniri grave. Păstrați avertizările de siguranță și instrucțiunile pentru referințe viitoare.

În manualul de utilizare sau pe produs se utilizează următoarele simboluri:



Citiți manualul de utilizare.



Indică riscul de rănire personală, pierderea vieții sau deteriorarea încălzitorului în cazul în care nu se respectă instrucțiunile din acest manual.



Nu utilizați în ploaie.



Destinat utilizării în interior.



Nu scoateți din uz produsul în containere neadecvate.



Produsul este în conformitate cu standardele de siguranță aplicabile din directivele europene.



Pericol de vătămare a ochilor din cauza razelor laser! Nu priviți niciodată direct în fasciculul laser și nu direcționați fasciculul laser către suprafețe reflectante!

AVERTISMENTE GENERALE DE SIGURANȚĂ

- Pentru a utiliza în siguranță acest dispozitiv, utilizatorul trebuie să citească și să înțeleagă aceste instrucțiuni de utilizare înainte de utilizarea pentru prima dată a aparat.
- Respectați toate instrucțiunile privind siguranța! Nerespectarea lor poate duce la vătămarea dvs. și a celorlalți.
- Păstrați toate instrucțiunile de utilizare și pe cele privind siguranța pentru consultare viitoare.
- Dacă vindeți sau dați altcuiva dispozitivul, acesta trebuie să fie însoțit de aceste instrucțiuni de utilizare.
- Dispozitivul trebuie folosit doar dacă funcționează corespunzător. Dacă produsul sau o

componentă a acestuia este defect(ă), nu îl mai folosiți și eliminați-l corect.

- Nu utilizați niciodată dispozitivul într-o încăpere în care există un pericol de explozie sau în vecinătatea lichidelor sau gazelor inflamabile.
- Nu lăsați copiii în apropierea dispozitivului! Nu lăsați dispozitivul la îndemâna copiilor și a altor persoane neautorizate.

AVERTISMENTE SPECIFICE DE SIGURANȚĂ

- Aparatul este destinat utilizării în mediu uscat.
- Evitați influența umidității și a murdăriei, precum și a razelor directe ale soarelui.
- Nu folosiți aparatul în vecinătatea aparatelor de sudură, a încălzitoarelor cu inducție și a altor câmpuri electromagnetice.
- Nu expuneți dispozitivul la temperaturi ridicate pentru o perioadă lungă de timp.
- Simbolurile de pe aparat nu trebuie să fie eliminate sau acoperite. Semnele de pe aparat care nu mai sunt lizibile trebuie înlocuite imediat.

AVERTISMENTE DE SIGURANȚĂ PENTRU BATERIE

- Nu deschideți bateria.** Pericol de scurtcircuitare.
- Protejați bateria împotriva căldurii, de ex. împotriva expunerii puternice la soare, foc, apă și umiditate.** Pericol de explozie.
- În cazul deteriorării și utilizării necorespunzătoare a bateriei, pot fi emiși vapori. Ventilați zona și solicitați asistență medicală în caz de sesizări.** Vaporii pot irita sistemul respirator.
- Utilizați bateria numai împreună cu produsul dvs. Vonroc.** Numai această măsură protejează bateria împotriva supraîncărcării periculoase.
- Bateria poate fi deteriorată de obiecte ascuțite, cum ar fi cuie sau șurubelnițe sau prin forță aplicată exter.** Poate apărea un scurtcircuit intern și bateria poate arde, exploda sau supraîncălzi.

Manipularea fasciculelor laser

- Nu priviți direct în fascicul, nici măcar de la distanțe mari.
- Nu orientați niciodată fasciculul de măsurare către oameni, alte ființe vii sau suprafețe reflectante.
- Ochelarii convenționali pentru laser nu protejează împotriva pericolelor fasciculelor laser. Acestea servesc doar pentru recunoașterea îmbunătățită a razei laser.

Laser roșu LL505DC:**Avertisment - Fascicul laser**

Nu priviți în fasciculul de lumină
Laser Clasa 2
conform cu EN60825-1: 2014;
λ: 620-690 nm; P<_1mW

Laser verde LL506DC:**Avertisment - Fascicul laser**

Nu priviți în fasciculul de lumină
Laser Clasa 2
conform cu EN60825-1: 2014;
λ: 510-530 nm; P<_1mW

2. INFORMAȚII CU PRIVIRE LA MAȘINĂ**Domeniul de utilizare**

Laserul cu linii transversale 360° este destinat determinării și verificării liniilor orizontale și verticale de pe perete și, prin urmare, este conceput pentru alinierea obiectelor cum ar fi mobilierul de bucătărie, pereți, plafoane, plăci ceramice sau tablouri. Laserul este adecvat pentru utilizarea în interior.

SPECIFICAȚII TEHNICE

Nr. model	LL505DC	LL506DC
Direcția fasciculelor	Vertical / orizontal 360°	
Culoarea liniei laser	Roșu	Verde
Lungime de undă laser	620~690 nm	510~530 nm
Clasa laserului	II (<mW) conf. cu EN60825-1: 2014;	
Domeniu de lucru*	10m	18m
Precizie	± 0.5 mm/m	
Aliniament autoreglabil	± 6°	
Timp de nivelare	4 s	
Protecție	IP 20	
Conexiune trepid dispozitiv	1/4"	
Conexiune trepid suport	1/4" and 5/8"	
Trepid recomandat	LL801AA	
Timp de funcționare, max.	12.5 ore	4 ore
Temperatura de funcționare	-10~40 °C	
Temperatura de depozitare	-20~70 °C	

Pachet de acumulatori reincărcabili	3.7V, 2600mAh Lithiu-Ion
Timp de încărcare acumulator	3 ore
Greutate (fără suport magnetic)	380 g
Dimensiuni (fără suport magnetic)	105x60x115 mm

* Domeniul de lucru poate fi redus de condițiile de mediu nefavorabile (de exemplu, lumina directă a soarelui).

DESCRIERE

Numerale din text se refera la diagramele de la paginile 2-4.

1. Buton de pornire/oprire
2. Comutator de blocare
3. Ieșire fascicul laser
4. Indicator LED
5. LED mod funcționare
6. Suport magnetic
7. Orificiu suspendare
8. Buton de reglare (pentru înălțime)
9. Disc de montare
10. Conexiune trepid ¼ inch
11. Conexiune trepid 5/8"
12. Filet exterior 1/4"
13. Magneții
14. Mufă USB Tip C*
15. Cablu USB*
16. Mufă USB Tip A*
17. Conector USB Tip C*

* USB Type-CR și USB-CR sunt mărci comerciale ale USB Implementers Forum.

3. ASAMBLAREA**Utilizarea discului magnetic (Fig. B)**

Acest suport (6) permite montarea unității pe orice suprafață verticală din oțel sau fier cu ajutorul magneților (13) amplasați pe partea din spate a suportului. Suportul are, de asemenea, un orificiu de suspendare pentru montaj (7) permițând unității să fie atârnată de un cui sau un șurub pe orice suprafață potrivită.

Pentru a monta laserul cu linie transversală 360° la suportul de montare, procedați după cum urmează:

- Înșurubați filetul tată al suportului (12) în conexiunea trepiedului (10) la dispozitiv cu ajutorul discului (9).
- Folosiți elementul de reglare a înălțimii (8) pentru a regla laserul 360° cu linii transversale la înălțimea dorită. Pentru a demonta, procedați în ordine inversă.

Utilizarea trepiedului (nu este inclus) (Fig. B)

- Așezați dispozitivul cu conexiunea trepiedului (10, 11) pe filetul de trepied sau un trepied convențional pentru cameră.
- Aliniați brut trepiedul înainte de a porni aparatul.

4. OPERAREA



Doar centrul liniei laser trebuie utilizat pentru marcare. Lățimea liniei laser se modifică în funcție de distanță.



Este recomandat să efectuați o verificare a preciziei înainte de prima utilizare și să efectuați verificări periodice în timpul utilizărilor viitoare, în special pentru aspectele precise. De asemenea, atunci când laserul ar fi putut fi bruscat.



Pericol de rănire din cauza componentelor defecte! Produsul trebuie pus în funcțiune numai dacă nu se constată defecte. Asigurați-vă că toate piesele defecte sunt înlocuite înainte ca produsul să fie utilizat din nou.



AVERTISMENT! Pericol de vătămare din cauza razelor laser! Nu direcționați niciodată fasciculul laser către oameni, alte ființe vii sau suprafețe reflectante.

Încărcarea aparatului (Fig. C)



Înainte de prima utilizare, mașina trebuie încărcată.

- Conectați mufa USB de tip C (14) la conectorul USB de tip C (17) de pe aparat.
- Conectați mufa USB de tip A (16) la un adaptor de alimentare (nu este inclus) sau la un dispozitiv (de ex. Computer, baterie externă) cu conector USB mamă adecvat. Vă rugăm să rețineți că aparatul ar trebui să poată furniza o alimentare constantă de 5V 2A.

- Indicatorul LED al bateriei (4) se va aprinde și va arăta starea de încărcare.

Starea încărcătorului LED	
Roșu	Încărcare acumulator în progres
Verde	Încărcare terminată, acumulatorul este încărcat complet

- După ce acumulatorul este complet încărcat, scoateți mufa USB de tip C (14) din conectorul USB de tip C (17).



De asemenea, dacă acumulatorul este descărcat este posibil să alimentați aparatul cu încărcătorul sau cu un acumulator extern. Urmați pașii de mai sus.



Atunci când nu folosiți mașina, este indicat să depozitați acumulatorul în stare încărcată.

Verificați aparatul:

- Asigurați-vă că toate piesele sunt montate ferm pe aparat.
- Verificați dacă există defecte vizibile: piese rupte, fisuri etc.
- Verificați precizia la prima utilizare a laserului sau când laserul nu a fost verificat pentru o acuratețe de ceva timp.
- De asemenea, atunci când laserul ar fi putut fi bruscat.

Mod de autonivelare (Fig. A, D)

Laserele sunt aliniate automat de pendul, astfel încât liniile verticale și cele orizontale să fie afișate la nivel pe perete.

- Așezați laserul pe o suprafață plană sau montați-l pe suportul magnetic (6) sau pe trepied (nu este inclus) și fixați-l așa cum este descris mai sus.
- Glisați comutatorul de blocare (2) spre dreapta.
- Liniile laser pot fi activate câte una sau toate odată.
 - Apăsați butonul Pornit/Oprit (1) de pe dispozitiv pentru a porni linia orizontală și linia verticală frontală.
 - Apăsați de două ori butonul Pornit/Oprit (2) pentru laserul frontal vertical.
 - Apăsați de trei ori butonul Pornit/Oprit (2) pentru laserul orizontal.

4. Dacă LED-ul modului de operare (5) este aprins în roșu și laserul clipește, domeniul de înclinare admisibil de 6 grade este depășit. Poziționați aparatul orizontal până când LED-ul modului de funcționare (5) se aprinde în verde și laserul nu mai clipește.
5. Pentru a opri, glisați comutatorul de blocare (2) la stânga și apăsați și mențineți apăsat butonul Pornit/Oprit (1). Laserul se oprește și pendulul va fi blocat.



Glisați comutatorul de blocare (2) la stânga când îl transportați. Aceasta blochează unitatea pendul, deoarece în caz contrar poate fi deteriorată.

Mod manual (Fig. A)

Laserul poate fi aliniat manual la unghiul dorit, pentru a permite de exemplu să fie afișată o linie pe diagonală.

1. Așezați laserul pe o suprafață plană sau montați-l pe suportul magnetic (6) sau pe trepid (nu este inclus) și fixați-l așa cum este descris mai sus.
2. Verificați dacă comutatorul de blocare (2) este setat la stânga. În caz contrar, glisați comutatorul de blocare (2) spre stânga.
3. Liniile laser pot fi activate câte una sau toate odată.
 - Apăsați butonul Pornit/Oprit (1) de pe dispozitiv pentru a porni linia orizontală și linia verticală frontală.
 - Apăsați de două ori butonul Pornit/Oprit (2) pentru laserul frontal vertical.
 - Apăsați de trei ori butonul Pornit/Oprit (2) pentru laserul orizontal.

LED-ul modului de funcționare (5) se aprinde roșu, deoarece pendulul este blocat.
4. Acum puteți înclina laserul la unghiul dorit, astfel încât liniile să fie afișate în diagonală pe perete, podea sau tavan.
5. Țineți apăsat butonul Pornit/Oprit (1) pentru a opri aparatul. Verificați dacă comutatorul de blocare (2) este setat la stânga. În caz contrar, glisați comutatorul de blocare (2) spre stânga.

5. ÎNTREȚINERE

Verificarea preciziei



Doar centrul liniei laser trebuie utilizat pentru marcare. Lățimea liniei laser se modifică în funcție de distanță.

Verificarea rapidă a liniei orizontale (Fig. A, E1)

1. Puneți aparatul la aproximativ 5 metri de perete.
2. Glisați comutatorul de blocare (2) spre dreapta. Apăsați de trei ori butonul Pornit/Oprit (2) pentru laserul orizontal. Dacă LED-ul modului de operare (5) este aprins în roșu și laserul clipește, domeniul de înclinare admisibil de 6 grade este depășit. Poziționați aparatul orizontal până când LED-ul modului de funcționare (5) se aprinde în verde și laserul nu mai clipește.
3. După ce se auto-nivelează, faceți un semn orizontal pe perete așa cum se arată în figura E1. Marcați ca punct A.
4. Rotiți laserul la 2,5 m spre dreapta.
5. Porniți laserul și, după ce se auto-nivelează, marcați orizontal pe perete. Marcați ca punct B așa cum se arată în figura E1. Când punctele A și B sunt la mai mult de 2,5 mm distanță de o perspectivă verticală, este necesară o verificare a calibrării.

Verificarea rapidă a liniei verticale (Fig. A, E2)

1. Puneți aparatul la aproximativ 5 metri de perete.
2. Agățați un fir de 2,5 metri pe perete cu o greutate la capătul său, așa cum se arată în figura E2. Firul trebuie să poată să se balanseze liber.
3. Glisați comutatorul de blocare (2) spre dreapta. Apăsați de două ori butonul Pornit/Oprit (2) pentru laserul frontal vertical. Poziționați linia verticală lângă fir. Dacă LED-ul modului de operare (5) este aprins în roșu și laserul clipește, domeniul de înclinare admisibil de 6 grade este depășit. Poziționați aparatul orizontal până când LED-ul modului de funcționare (5) se aprinde în verde și laserul nu mai clipește. După autonivelare, diferența nu trebuie să depășească $\pm 2,5$ mm. Când este la o distanță mai mare de 2,5mm, este necesară o verificare a calibrării.

Verificarea calibrării (Fig. A, F)

Precizia fasciculului orizontal poate fi verificată urmând acești pași:

1. Montați aparatul pe un trepid, centrat într-o cameră cu pereți ideal la 5 metri distanță.
2. Glisați comutatorul de blocare (2) spre dreapta. Apăsați de trei ori butonul Pornit/Oprit (2) pentru laserul orizontal. Dacă LED-ul modului de operare (5) este aprins în roșu și laserul clipește, domeniul de înclinare admisibil de 6 grade este depășit. Poziționați aparatul orizon-

tal până când LED-ul modului de funcționare (5) se aprinde în verde și laserul nu mai clipește.

3. După ce se auto-nivelează, faceți un semn orizontal pe perete oriunde de-a lungul liniei orizontale pentru a indica înălțimea fascicolului. Marcați ca punct A așa cum se arată în Fig. F1.
4. Rotiți dispozitivul cu 180° și după ce se auto-nivelează, marcați punctul B așa cum se arată în Fig. F2.
5. Rotiți dispozitivul cu 180°. Poziționați dispozitivul cât mai aproape de perete la înălțimea punctului A, așa cum se arată în Fig. F3.
6. Rotiți dispozitivul cu 180° și după ce se auto-nivelează, marcați punctul C. Acest semn trebuie să fie deasupra, dedesubt sau peste punctul B, așa cum se arată în Fig. F4. Diferența dintre punctele B și C este toleranța. Când B și C sunt la o distanță mai mare de 0,5 mm/ m, este necesară o ajustare. Contactați distribuitorul autorizat sau departamentul de service Vonroc.

Curățare



OBSERVAȚIE! Pericol de defectare a produsului! Nu scufundați niciodată dispozitivul în apă în timpul curățării.

Nu folosiți agenți de curățare sau solvenți. Ștergeți dispozitivul folosind o cârpă uscată.

Depozitarea



OBSERVAȚIE! Pericol de defectare a produsului! Manipulați întotdeauna instrumentele de măsurare cu atenție.

- Depozitați produsul într-un spațiu uscat, bine ventilat.
- Depozitați și transportați produsul în ambalajul original.
- Prevenirea fluctuațiilor mari de temperatură: Temperatura întotdeauna produsul pentru o perioadă de timp înainte de utilizarea în medii extrem de reci sau calde.



OBSERVAȚIE! Pericol de defectare a produsului! Bateriile vechi, care curg pot deteriora produsul. Verificați cu regularitate bateriile.

MEDIU ÎNCONJURĂTOR



Aparatele electrice sau electronice deteriorate și/sau defecte trebuie colectate în locurile de reciclare corespunzătoare.

Numai pentru țările din CE

Nu aruncați echipamentele actionate electric împreună cu gunoii menajer. Conform Indicației europene 2012/19/EU pentru echipamente electrice și electronice uzate și a implementării sale la nivel național, echipamentele actionate electric scoase din uz trebuie colectate separat și evacuate într-o manieră ecologică.

GARANȚIE

Produsele VONROC sunt realizate la cele mai înalte standarde de calitate și sunt garantate în privința materialelor și a manoperei pentru întreaga perioadă de utilizare în garanție, începând cu data achiziției. În cazul în care produsul se defectează în timpul perioadei de utilizare, contactați direct VONROC.

Următoarele circumstanțe sunt excluse de la această garanție:

- Reparațiile sau modificările care realizate sau care s-au încercat a fi efectuate de centre de service neautorizate.
- Uzura în condiții normale.
- Unealta care a fost abuzată, utilizată într-un mod neglijent sau întreținută în mod inadecvat.
- Folosirea unor piese de schimb neoriginale.

Aceasta acoperă garanția companiei, explicită sau implicită. Nu există alte garanții explicite sau implicite care să se extindă dincolo de cele indicate aici, incluzând garanțiile, vandabilitatea sau adecvarea pentru un anumit scop. În nicio situație, VONROC nu este responsabil pentru daunele incidentale sau consecvențiale. Reparațiile efectuate de reprezentant trebuie să fie limitate la reparațiile sau la înlocuirea unităților sau a pieselor neconforme.

Produsul și manualul de utilizare pot suferi modificări. Specificațiile se pot modifica fără notificare prealabilă.

1. GÜVENLİK TALİMATLARI

Ekteki güvenlik uyarılarını, ilave güvenlik uyarılarını ve talimatları okuyun. Güvenlik uyarılarını ve talimatları izlememek elektrik çarpması, yangın ve/veya ciddi yaralanma ile sonuçlanabilir. Güvenlik uyarılarını ve talimatları gelecekte referans olması için saklayın.

Aşağıdaki semboller kullanıcı kılavuzunda veya ürün üzerinde kullanılmaktadır:



Kullanıcı kılavuzunu okuyun.



Bu kılavuzdaki talimatlara uymama durumunda bedensel yaralanma, can kaybı veya alete hasat riskini belirtir.



Yağmur altında kullanmayın.



Yalnızca kapalı mekan kullanımı.



Urunu uygun olmayan kaplara atmayın.



Urun, Avrupa yönergelerinde belirtilen, yururlukteki güvenlik standartlarına uygundur.



Lazer ışınlarına bağlı göz yaralanması riski! Lazer ışınlarına doğrudan bakmayın ve lazer ışınını yansıtıcı yüzeylere tutarak yönlendirmeyin!

GENEL GÜVENLİK TALİMATLARI

- Kullanıcı, bu cihazı güvenli bir şekilde kullanmak için, cihazı ilk kez kullanmadan önce bu kullanım kılavuzunu okumalı ve anlamış olmalıdır.
- Tüm güvenlik talimatlarına uyun! Bunun yapılmaması size ve başkalarına zarar verebilir.
- Kullanım kılavuzunu ve güvenlik talimatlarını gelecekte başvurmak üzere muhafaza edin.
- Cihazı satmanız veya başkalarına vermeniz durumunda bu kullanım kılavuzunu da teslim etmelisiniz.
- Cihaz sadece doğru şekilde çalıştığı anda kullanılmalıdır. Ürün veya ürünün bir parçası arızalıysa, kullanım dışı bırakılmalı ve doğru şekilde atılmalıdır.

- Cihazı patlama tehlikesi olan yerlerde veya yanıcı sıvı veya gazların yakınında kesinlikle kullanmayın.
- Çocukları cihazdan uzak tutun! Cihazı çocukların ve diğer yetkisiz kişilerden geçiş yolundan uzak tutun.

MAKİNEYE ÖZEL GÜVENLİK TALİMATLARI

- Cihaz kuru ortamda kullanılmak üzere tasarlanmıştır.
- Nem ve kirin yanı sıra doğrudan güneş ışınlarına maruz bırakmayın.
- Cihazı kaynak makineleri, indüksiyon ısıtıcıları ve diğer elektromanyetik alanların yakınında çalıştırmayın.
- Cihazın uzun süre yüksek sıcaklıklara maruz kalmasına izin vermeyin.
- Cihazınızda görünen semboller yerinden çıkarılamaz veya üzeri kapatılamaz. Cihazda artık okunamaz hale gelmiş işaretler derhal değiştirilmelidir.

BATARYA İÇİN GÜVENLİK UYARILARI

- Bataryanın icini acmayın.** Kısa devre tehlikesi.
- Bataryayı ısıya, sürekli yoğun güneş ışığına, yangına, suya ve neme karşı koruyun.** Patlama tehlikesi.
- Bataryanın hasar görmesi ve yanlış kullanılması durumunda duman çıkabilir. Bolgeyi havalandırın ve şikayet durumunda tıbbi yardım alın.** Duman solunum sistemini tahriş edebilir.
- Bataryayı sadece Vonroc ürününüzle bağlantılı olarak kullanın.** Bu onlem tek başına bataryayı tehlikeli aşırı yüklenmeye karşı korur.
- Batarya, civi veya tornavida gibi sivri uclu nesnelere veya dışarıdan uygulanan kuvvetten oturu zarar görebilir.** Dahili bir kısa devre oluşabilir ve batarya yanabilir, duman çıkabilir, patlayabilir veya aşırı ısınabilir.

Lazer ışınlarıyla çalışma

- Çok uzak mesafelerden bile olsa lazer ışınlarına doğrudan bakmayın.
- Ölçüm ışınını asla insanlara, diğer canlılara veya yansıtıcı yüzeylere yönlendirmeyin.
- Geleneksel lazer gözlükler, lazer ışınlarının tehlikelerine karşı koruma sağlamaz. Bu gözlükler sadece lazer ışınının daha iyi görünmesine hizmet ederler.

LL505DC çizgi lazeri kırmızı:**LL506DC çizgi lazeri yeşili:****2. MAKİNE BİLGİSİ****Kullanım amacı**

Bu 360° çapraz çizgi lazeri, duvardaki yatay ve dikey çizgileri belirlemek ve kontrol etmek için ve bu amaca dönük olarak mutfak, duvar, tavanda fayans veya resim gibi nesnelere gibi nesnelere hizalamak için tasarlanmıştır. Çizgi lazeri kapalı alanda kullanım için uygundur.

TEKNİK SPESİFİKASYONLAR

Model No.	LL505DC	LL506DC
İşınların yönü	Dikey / 360° yatay	
Lazer çizgisinin rengi	Kırmızı	Yeşil
Lazer Dalga Boyu	620~690 nm	510~530 nm
Lazer sınıfı	II (<mW) EN60825-1:2014;	
Çalışma menzili*	20m	40m
Hassasiyet	± 0.5 mm/m	
Otomatik seviye ayarlama menzili	± 6°	
Seviye ayarlama süresi	4s	
Koruma sınıfı	IP 20	
Tripod bağlantı cihazı	1/4"	
Tripod bağlantı braketi	1/4" and 5/8"	
Önerilen tripod	LL801AA	
Çalışma süresi, maks.	12.5 saat	4 saat
Çalışma sıcaklığı	-10~40 °C	

Depolama sıcaklığı	-20~70 °C
Tekrar şarj edilebilir batarya	3.7V, 2600mAh (Li-ion)
Pil sarj süresi	3 saat
Ağırlık (manyetik braket olmadan)	380 g
Boyutları (manyetik braket olmadan)	105x60x115 mm

* Olumsuz çevre koşulları (örn. doğrudan güneş ışığı) nedeniyle çalışma aralığı azalabilir.

ACIKLAMA

Metindeki numaralar sayfa 2-4'teki şemaları işaret etmektedir.

1. Açma / kapatma düğmesi
2. Kilitleme düğmesi
3. Lazer ışın çıkışı
4. LED göstergesi
5. Çalışma modu LED'i
6. Manyetik braket
7. Askı deliği
8. Ayarlama düğmesi (yükseklik için)
9. Montaj çarkı
10. ¼ inç tripod bağlantısı
11. 5/8" tripod bağlantısı
12. 1/4" erkek vida
13. Miknatıslar
14. USB type-C fiş*
15. USB kablosu*
16. USB type-A fiş*
17. USB type-C konektör*

* USB Type-CR ve USB-CR USB Implementers Forum'un ticari markalarıdır.

3. MONTAJ**Manyetik braketin kullanılması (Şekil B)**

Bu braket (6), ünitenin arkadaki miknatıslar (13) kullanılarak çelik veya demirden yapılmış herhangi bir dik yüzeye monte edilmesini sağlar. Braket ayrıca, ünitenin bir çivi veya vida ile herhangi bir uygun yüzeye asılmasını sağlayan bir askı deliğine (7) sahiptir.

Bu 360° çapraz çizgi lazerini montaj aparatına takmak için aşağıdakileri yapın:

1. Braket erkek vidasını (12) çark (9) yardımıyla cihazdaki tripod bağlantısına (10) vidalayın.
2. Yükseklik ayarlayıcıyı (8) kullanarak 360° çapraz çizgi lazerini gereken yüksekliğe ayarlayın. Demonte etmek için tersi sırada ilerleyin.

Tripodun kullanılması (ürüne dahil değildir) (Şekil B)

1. Cihazı tripod bağlantısı (10, 11) ile tripod veya geleneksel bir kamera tripodunun üzerine yerleştirin.
2. Cihazı açmadan önce tripodu kabaca hizalayın.

4. CALIŞTIRMA



İşaretleme için sadece lazer çizgisinin merkezi kullanılmalıdır. Lazer çizgisinin genişliği mesafeye bağlı olarak değişir.



İlk kullanımdan önce bir hassasiyet kontrolü yapılması ve özellikle hassas düzenler için ileride kullanım sırasında periyodik kontrollerin yerine getirilmesi önerilir. Aynı zamanda, lazer yere düştüğünde de bu kontroller yapılmalıdır.



Arızalı bileşenlerden kaynaklanan yaralanma tehlikesi! Ürün ancak herhangi bir arızası bulunmadığında çalıştırılmalıdır. Ürün tekrar kullanılmadan önce arızalı parçaların değiştirildiğinden emin olun.



Lazer ışınlarına bağlı yaralanması riski! Ölçüm ışınına asla insanlara, diğer canlılara veya yansıtıcı yüzeylere yönlendirmeyin.

Cihazın şarj edilmesi (Şekil C)



İlk kullanımdan önce makine şarj edilmelidir.

1. USB type C fişini (14) makinedeki USB type-C konektörüne (17) takın.
2. USB type A fişini (16) uygun dişi USB konektörlü bir güc adaptörüne (dahil değildir) veya cihaza (örn. bilgisayar, taşınabilir şarj cihazı) takın. Lütfen cihazın sabit 5V 2A güc sağlaması gerektiğini unutmayın.
3. Batarya LED göstergesi (4) yanacak ve şarj durumunu gösterecektir.

LED Şarj cihazı durumu

Kırmızı	Pil şarj ediliyor
Yeşil	Şarj işlemi tamamlandı, batarya tamamen şarj edildi

4. Batarya tamamen şarj olduktan sonra USB C tipi fişi (17) USB C tipi konektörden (17) çıkarın.



Bataryanın boş olması durumunda, cihaz şarj cihazı veya bir taşınabilir şarj aleti ile güç sağlamak da mümkündür. Yukarıdaki adımları izleyin.



Makine daha uzun bir süre kullanılmadığında, bataryayı şarj edilmiş durumda saklamak en iyisidir.

Cihazı kontrol edin:

- Tüm parçaların makineye sıkıca takıldığından emin olun.
- Herhangi bir görünür kusur olup olmadığını kontrol edin: kırık parçalar, çatlaklar, vb.
- Lazeri ilk kez kullandığınızda veya lazerin hassasiyeti bir süredir kontrol edilmediğinde hassasiyeti kontrol edin.
- Aynı zamanda, lazer yere düştüğünde de hassasiyeti kontrol edin.

Otomatik seviye ayarlama modu (Şekil A, D)

Lazerler sarkaç ile otomatik olarak hizalanır, böylece dikey ve yatay çizgiler duvarda aynı seviyede görüntülenir.

1. Lazeri düz bir yüzeye yerleştirin veya manyetik braket (6) veya tripoda (dahil değildir) takın ve yukarıda açıklandığı gibi sabitleyin.
2. Kilitleme düğmesini (2) sağa kaydırın.
3. Lazer çizgilerine birer birer veya hepsine aynı anda güç verilebilir.
 - Yatay çizgiyi ve ön dikey çizgiyi açmak için cihaz üzerindeki AÇMA / KAPATMA düğmesine (1) basın.
 - Dikey ön lazer için AÇMA/KAPAMA düğmesine (2) iki kez basın.
 - Yatay lazer için AÇMA/KAPAMA düğmesine (2) üç kez basın.
4. Çalışma modu LED'i (5) kırmızı yanarsa ve lazer yanıp sönerse, izin verilen 6 derecelik eğim aralığı aşılmış demektir. Cihazı, çalışma modu LED'i (5) yeşil yanana ve lazerin yanıp sönmeye durana kadar yatay olarak konumlandırın.

5. Cihazı kapatmak için, kilitleme düğmesini (2) sola kaydırın ve ardından AÇMA/KAPAMA düğmesine (1) basılı tutun. Lazer kapanır ve sarkaç kilitletir.



Cihazı taşırken kilit düğmesini (2) sola kaydırın. Bu, aksi takdirde hasar görebilecek olan sarkaç ünitesini kilitletir

Manuel mod (Şekil A, D2)

Lazer, örneğin çapraz bir çizginin görüntülenmesini sağlamak için ihtiyacınız olan açıya manuel olarak hizalanabilir.

1. Lazeri düz bir yüzeye yerleştirin veya manyetik braket (6) veya tripod (dahil değildir) takın ve yukarıda açıklandığı gibi sabitleyin.
 2. Kilitleme düğmesinin (2) solda olduğunu kontrol edin. Eğer değilse kilitleme düğmesini (2) sola kaydırın.
 3. Lazer çizgilerine birer birer veya hepsine aynı anda güç verilebilir.
 - Yatay çizgiyi ve ön dikey çizgiyi açmak için cihaz üzerindeki AÇMA / KAPAMA düğmesine (1) basın.
 - Dikey ön lazer için AÇMA/KAPAMA düğmesine (2) iki kez basın.
 - Yatay lazer için AÇMA/KAPAMA düğmesine (2) üç kez basın.
- Sarkaç bloke olduğu için çalışma modu LED'i (5) kırmızı yanar.
4. Artık lazeri istediğiniz açıya eğebilirsiniz, böylece çizgiler duvarda çapraz olarak görüntülenir.
 5. Cihazı kapatmak için AÇMA/KAPAMA düğmesine (1) basılı tutun. Kilitleme düğmesinin (2) solda olduğunu kontrol edin. Eğer değilse kilitleme düğmesini (2) sola kaydırın.

5. BAKIM

Hassasiyet kontrolü

İşaretleme için sadece lazer çizgisinin merkezi kullanılmalıdır. Lazer çizgisinin genişliği mesafeye bağlı olarak değişir.

Hızlı yatay çizgi kontrolü (Şekil A, E1)

1. Cihazı duvardan yaklaşık 5 metre uzağa yerleştirin.
2. Kilitleme düğmesini (2) sağa kaydırın. Yatay lazer için AÇMA/KAPAMA düğmesine (2) üç kez basın. Çalışma modu LED'i (5) kırmızı yanarsa ve lazer yanıp sönerse, izin verilen 6 derecelik eğim

aralığı aşılmış demektir. Cihazı, çalışma modu LED'i (5) yeşil yanana ve lazerin yanıp sönmeye durana kadar yatay olarak konumlandırın.

3. Otomatik seviye ayarlamasından sonra, Şekil E1'de gösterildiği gibi duvarda yatay bir işaret oluşturun. Bunu A noktası olarak işaretleyin.
4. Lazeri 2,5 m sağa çevirin.
5. Lazeri açın ve otomatik seviye ayarlaması sonrasında duvarda yatay bir işaret oluşturun. Bunu şekil E1'de gösterildiği gibi B noktası olarak işaretleyin. A ve B noktaları dikey perspektiften 2,5 mm'den daha uzak olduğunda, bir kalibrasyon kontrolü gereklidir.

Hızlı dikey çizgi kontrolü (Şekil A, E2)

1. Cihazı duvardan yaklaşık 5 metre uzağa yerleştirin.
2. Şekil E2'de gösterildiği gibi, 2,5 metrelik bir ipi, ipin ucunda bir ağırlık olacak şekilde duvara asın. İp serbestçe sallanıyor olmalıdır.
3. Kilitleme düğmesini (2) sağa kaydırın. Dikey ön lazer için AÇMA/KAPAMA düğmesine (2) iki kez basın. Dikey çizgiyi telin yanına yerleştirin. Çalışma modu LED'i (5) kırmızı yanarsa ve lazer yanıp sönerse, izin verilen 6 derecelik eğim aralığı aşılmış demektir. Cihazı, çalışma modu LED'i (5) yeşil yanana ve lazerin yanıp sönmeye durana kadar yatay olarak konumlandırın. Otomatik seviye ayarlamasından sonra, fark $\pm 2,5$ mm'yi geçmemelidir. 2,5 mm'den fazla bir mesafe olduğunda, bir kalibrasyon kontrolü gereklidir.

Kalibrasyon kontrolü (Şekil A, F)

Yatay ışının hassasiyeti şu adımlar izlenerek kontrol edilebilir:

1. Cihazı, ideal olarak duvarları arasında 5 metre mesafe olan bir odanın tam ortasına koyulmuş bir tripod (dahil değildir) üzerine yerleştirin.
2. Kilitleme düğmesini (2) sağa kaydırın. Yatay lazer için AÇMA/KAPAMA düğmesine (2) üç kez basın. Çalışma modu LED'i (5) kırmızı yanarsa ve lazer yanıp sönerse, izin verilen 6 derecelik eğim aralığı aşılmış demektir. Cihazı, çalışma modu LED'i (5) yeşil yanana ve lazerin yanıp sönmeye durana kadar yatay olarak konumlandırın.
3. Otomatik seviye ayarlama sonrasında, ışının yüksekliğini belirtmek için duvarda yatay çizgi boyunca herhangi bir yerde yatay bir işaret oluşturun. Bunu Şekil F1'de gösterildiği gibi A noktası olarak işaretleyin.

4. Cihazı 180° çevirin ve otomatik seviye ayarlaması yaptıktan sonra bunu Şekil F2'de gösterildiği gibi B noktası olarak işaretleyin.
5. Cihazı 180° çevirin. Cihazı, Şekil F3'te gösterildiği gibi A noktası yüksekliğinde duvara mümkün olduğunca yakın konumlandırın.
6. Cihazı 180° çevirin ve otomatik seviye ayarlaması sonrasında bunu C noktası olarak işaretleyin. Bu işaret, Şekil F4'te gösterildiği gibi doğrudan B noktasının üstünde, altında veya üstünde olmalıdır. B ve C noktaları arasındaki fark tolerans mesafesidir.
B ve C arasındaki mesafe 0,5 mm/ m'den fazla olduğunda, bir ayarlama gereklidir. Yetkili bayinizle veya başka bir Vonroc Servis Departmanı ile iletişime geçin.

Temizleme



İKAZ! Üründe hasar riski! Cihazı temizlerken kesinlikle suya batırmayın. Temizlik maddeleri veya çözücülerini kullanmayın. Cihazı kuru bir bezle silin.

Saklama



İKAZ! Üründe hasar riski! Ölçüm aletlerini her zaman dikkatli kullanın.

- Ürünü kuru ve iyi havalandırılmış bir yerde saklayın.
- Ürünü yalnızca orijinal ambalajında saklayın ve taşıyın.
- Büyük sıcaklık dalgalanmalarını önleyin: Aşırı soğuk veya sıcak ortamlarda kullanmadan önce daima ürünün bir süre ortama uyum sağlamasını bekleyin.



İKAZ! Üründe hasar riski! Eski, sızdıran piller ürüne zarar verebilir. Pili düzenli olarak kontrol edin.

CEVRE



Anzalı ve/veya atılmış elektrikli veya elektronik ekipmanların uygun geri dönüşüm konumlarında toplanması gerekir.

Yalnızca AT ülkeleri için

Elektrikli aletleri evsel atık olarak atmayın. Atık Elektrikli ve Elektronik Donanım için Avrupa İlkeleri 2012/19/EU'ya ve bunun yerel hukuk çerçevesinde uygulamasına göre, artık kullanılamaz olan elekt-

rikli aletler ayrı olarak toplanmalı ve çevre dostu bir yolla imha edilmelidir.

GARANTİ

VONROC ürünleri yüksek kalite standartları doğrultusunda geliştirilmiştir ve ilk satın alımdan itibaren kanunen belirlenen süre boyunca materyal ve işçilik açısından kusursuz olacağı garanti edilmektedir. Bu süre zarfında, kusurlu materyal ve/veya işçilikten dolayı urunde herhangi bir arıza meydana gelmesi durumunda, doğrudan VONROC iletişim kurun.

Takip eden durumlar bu garanti kapsamı dışındadır:

- Yetkisiz servis merkezleri tarafından yapılan veya yapılmaya teşebbüs edilen onarım ve/veya değişiklikler.
- Normal aşınma ve eskime.
- Cihazın kotu ve yanlış kullanılması veya cihaza yanlış bakım yapılması.
- Orijinal olmayan yedek parçaların kullanılması

Bu, şirket tarafından acık ya da zimni verilmiş tek garantiyi oluşturur. Belirli bir amaç için ticarete elverişlilik ve uygunluğun zimni garantileri dahil dış görüşünün otesine uzanan acık veya zimni başka hiçbir garanti yoktur. VONROC herhangi bir arızı veya dolaylı zarardan hiçbir halukarda sorumlu olmayacaktır. Bayilerin getireceği çözümler uygunsuz birimlerin veya parçaların onarımı veya değiştirilmesiyle sınırlı olacaktır.

Urun ve kullanıcı kılavuzu değişikliğe tabidir. Spesifikasyonlar başka bir uyarı olmaksızın değiştirilebilir.



DECLARATION OF CONFORMITY
LL505DC / LL506DC - CROSS LINE LASER

- (EN) We declare under our sole responsibility that this product is in conformity with directive 2011/65/EU of the European parliament and of the council of 8 June on the restriction of the use of certain hazardous substances in electrical and electronic equipment is in conformity and accordance with the following standards and regulations:
- (DE) Der Hersteller erklärt eigenverantwortlich, dass dieses Produkt der Direktive 2011/65/EU des Europäischen Parlaments und des Rats vom 8. Juni 2011 über die Einschränkung der Anwendung von bestimmten gefährlichen Stoffen in elektrischen und elektronischen Geräten entspricht. den folgenden Standards und Vorschriften entspricht:
- (NL) Wij verklaren onder onze volledige verantwoordelijkheid dat dit product voldoet aan de conform Richtlijn 2011/65/EU van het Europees Parlement en de Raad van 8 juni 2011 betreffende beperking van het gebruik van bepaalde gevaarlijke stoffen in elektrische en elektronische apparatuur en in overeenstemming is met de volgende standaarden en reguleringen:
- (FR) Nous déclarons sous notre seule responsabilité que ce produit est conforme aux standards et directives suivants: est conforme à la Directive 2011/65/EU du Parlement Européen et du Conseil du 8 juin 2011 concernant la limitation d'usage de certaines substances dangereuses dans l'équipement électrique et électronique.
- (ES) Declaramos bajo nuestra exclusiva responsabilidad que este producto cumple con las siguientes normas y estándares de funcionamiento: se encuentra conforme con la Directiva 2011/65/UE del Parlamento Europeo y del Consejo de 8 de junio de 2011 sobre la restricción del uso de determinadas sustancias peligrosas en los equipos eléctricos y electrónicos.
- (IT) Dichiariamo, sotto la nostra responsabilità, che questo prodotto è conforme alle normative e ai regolamenti seguenti: è conforme alla Direttiva 2011/65/UE del Parlamento Europeo e del Consiglio dell'8 giugno 2011 sulla limitazione dell'uso di determinate sostanze pericolose nelle apparecchiature elettriche ed elettroniche.
- (SV) Vi garanterar på eget ansvar att denna produkt uppfyller och följer följande standarder och bestämmelser: uppfyller direktiv 2011/65/EU från Europeiska parlamentet och EG-rådet från den 8 juni 2011 om begränsningen av användning av farliga substanser i elektrisk och elektronisk utrustning.
- (DA) Vi erklærer under eget ansvar, at dette produkt er i overensstemmelse med følgende standarder og bestemmelser: er i overensstemmelse med direktiv 2011/65/EU fra Europa-Parlamentet og Rådet af 8. juni 2011 om begrænsning af anvendelsen af visse farlige stoffer i elektrisk og elektronisk udstyr.
- (PL) Deklarujemy na własną odpowiedzialność, że ten produkt spełnia wymogi zawarte w następujących normach i przepisach: jest zgodny z Dyrektywą 2011/65/UE Parlamentu Europejskiego i Rady z dnia 8 czerwca 2011 r. w sprawie ograniczenia stosowania niektórych niebezpiecznych substancji w sprzęcie elektrycznym i elektronicznym.
- (RO) Declarăm prin aceasta cu răspunderea deplină că produsul acesta este în conformitate cu următoarele standarde sau directive: este în conformitate cu Directiva 2011/65/UE a Parlamentului European și a Consiliului din 8 iunie 2011 cu privire la interzicerea utilizării anumitor substanțe periculoase la echipamentele electrice și electronice.
- (TR) Tek sorumlusu biz olmak üzere bu ürünün Avrupa Parlamentosunun 2011/65/EU ve 8 Haziran 2011 tarihli konseyin elektrikli ve elektronik ekipmanlarda belirlenmiş tehlikeli malzeme kullanımının kısıtlanması hakkındaki talimatları ile birlikte aşağıda belirtilen standart ve yönergelere uygun ve uyumlu olduğunu beyan ederiz:

EN 60825-1, EN 61326-1, 2011/65/EU, 2012/19/EU, 2014/30/EU

Zwolle, 01-06-2022

H.G.F Rosberg
CEO

VONROC • Lingenstraat 6 • 8028 PM Zwolle • The Netherlands



VONROC®
BUILD YOUR FUTURE

©2022 VONROC
WWW.VONROC.COM

2206-09